



SILVER and WHITE version.



SWAROVSKI version.

Range of axial extractors with airflow rates of 85 m³/h, for connection to 100 mm diameter circular ducting.

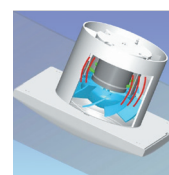
Motor mounted on silent-elastic-blocks which absorb the vibrations and allow offering very low noise level. All the fans are manufactured from injection moulded plastic, fitted with automatic shutter and single phase 230V-50Hz, class B low consumption motor equipped with thermal overload protection. All the fans are class II insulation, IP45 rated and suitable to operate with air temperature up to 40°C.



Back draft shutter
 To prevent air entry and limit heat leakage when the extractor is not operating. It opens due to the pressure of the air.

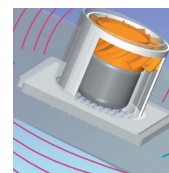


Silent-blocks
 Motor mounted on "Silent-elastic-block" to prevent vibration and noise transmission.



SILENT-100 DESIGN

Quiet operation
 In usual extract fans the vibrations are transmitted to the surrounding areas while in SILENT extractor fans the vibrations are absorbed by the Silent Blocks.

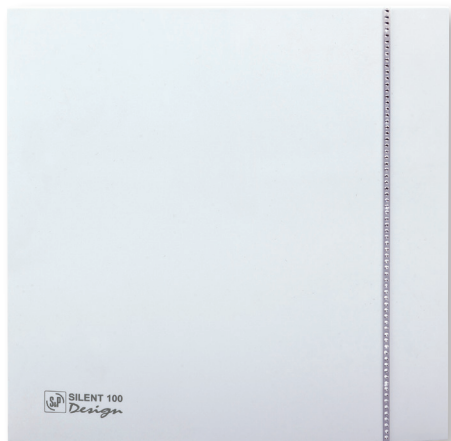


USUAL EXTRACTOR

BATHROOM EXTRACT FANS SILENT-100 DESIGN 3C Series



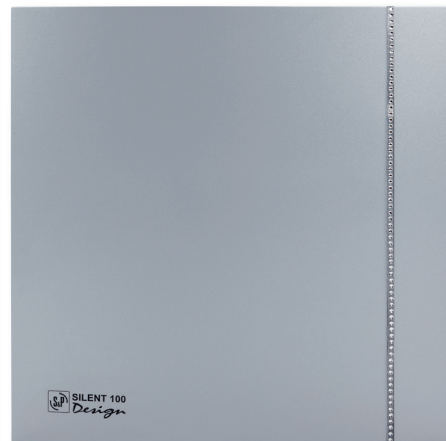
SWAROVSKI versions: Elegant and innovative design.
Supplied with a front grille with a swarovski bar.



WHITE



CHAMPAGNE



SILVER



Interchangeable colour bars

Interchangeable colour bars. 4 colours to match the decor of the room: blue, red, green and yellow.

Models 3C

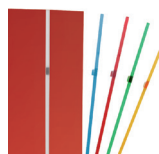


Black

Grey

Champagne

Gold



SILENT-100 CZ DESIGN 4C: Different colours available.

4C models incorporate 5 interchangeable colour bars (transparent, blue, green, red and yellow).



Ivory

Red

Marble white

Marble black



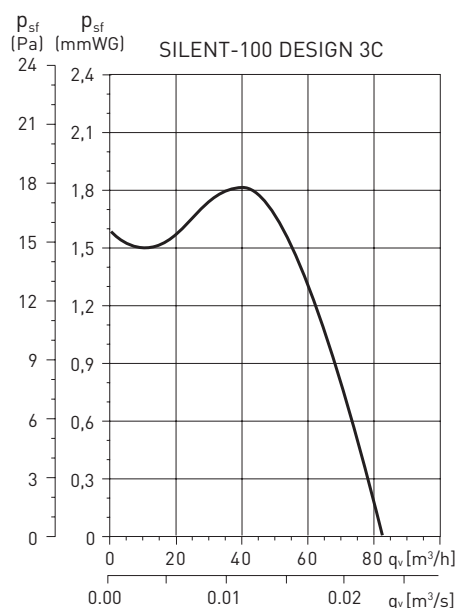
BARCELONA

MODEL FEATURES

	CZ DESIGN 3C	CRZ DESIGN 3C	CHZ DESIGN 3C
PILOT LIGHT	●	●	●
BACKDRAFT SHUTTER	●	●	●
ADJUSTABLE RUN-ON-TIMER (1-30MIN)		●	●
ADJUSTABLE HUMIDISTAT			●
BALL BEARINGS	●	●	●
KIT BAR LIGHTS 4 COLOURS	●	●	●
WIRING DIAGRAM*	2, 3	4, 5	1, 4

* See section of Wiring Diagrams.

PERFORMANCE CURVE



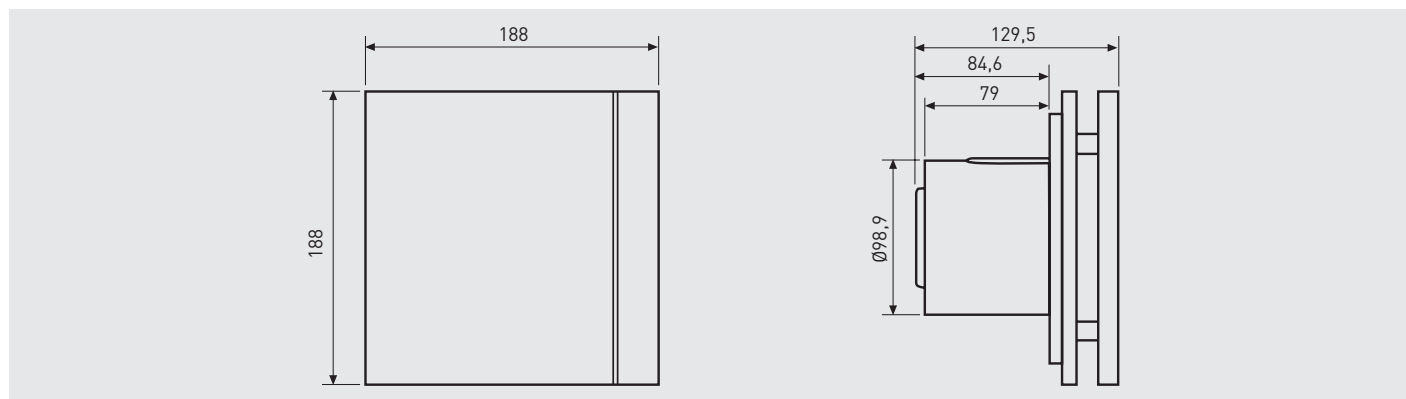
TECHNICAL CHARACTERISTICS

Model	Absorbed power at free discharge (W)	Voltage (V) 50 Hz	Sound pressure level* (dB(A))	Airflow at free discharge (m³/h)	Insulation/IP	Ø duct (mm)	Weight (kg)
SILENT-100 DESIGN 3C	8	230	26,5	85	Class II / IP45	100	0,65
KIT SILENT-100 DESIGN 12V** 3C	12	12	26,5	80	Class III / IP57	100	0,65

* Sound pressure level measured at 3 m at free air conditions.

** Delivered with CT-12/14 transformer.

DIMENSIONS (mm)



ACCESSORIES



GSA-100
Flexible aluminium ducting.



GRA-70
Aluminium exterior grille.



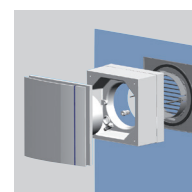
FIXED SHUTTER AND TELESCOPIC DUCT
(200 to 420 mm).



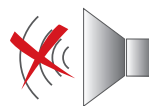
CX-80/125
Worm drive ducting clip.



PER-100W
Back draft shutter.



WINDOW KIT 100
Accessory to allow SILENT-100 in a window.



Validated mark of approved
noise abatement society

Range of axial extractors with airflow rates of 85 m³/h, high-performance, low consumption Brushless motors, for connection to 100 mm diameter circular ducting. Motor mounted on silent-elastic-blocks which absorb the vibrations and allow offering very low noise level. All the fans are manufactured from injection moulded plastic, fitted with automatic shutter and single phase 230V-50/60Hz, low consumption motor equipped with thermal overload protection. All the fans are class II insulation, IP45 rated and suitable to operate with air temperature up to 40°C.

With consumption of only 5W, the SILENT ECOWATT series extractors are especially recommended toilets, bathrooms and installations where the extractor will require long working hours resulting in a considerable reduction in energy costs.

IP45

PROTECTION

**Lp
26,5
dB**

LOW NOISE

5W!

consumption
ENERGY
EFFICIENT



SILENT-100 DESIGN 12VDC ECOWATT + CT-12/6

Kit made up of SILENT-100 DESIGN 12VDC ECOWATT fan, fitted with 12VDC brushless motor and designed for operation at SELV, and a transformer CT-12/6.



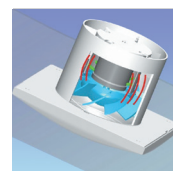
Back draft shutter

To prevent air entry and limit heat leakage when the extractor is not operating. It opens due to the pressure of the air.



Silent-blocks

Motor mounted on "Silent-elastic-block" to prevent vibration and noise transmission.



SILENT-100 DESIGN ECOWATT

Quiet operation

In usual extract fans the vibrations are transmitted to the surrounding areas while in SILENT extractor fans the vibrations are absorbed by the Silent Blocks.



Interchangeable colour bars

Interchangeable colour bars. 4 colours to match the decor of the room: blue, red, green and yellow.



KIT SILENT-100 DESIGN 12VDC ECOWATT + CT-12/6

MODEL FEATURES

	CZ	CRZ	CHZ
DC MOTOR	●	●	●
PILOT LIGHT	●	●	●
BACKDRAFT SHUTTER	●	●	●
ADJUSTABLE RUN-ON-TIMER		●	●
ADJUSTABLE HUMIDISTAT			●
WIRING DIAGRAM*	2, 3	4, 5	1, 4

* See section of Wiring Diagrams.

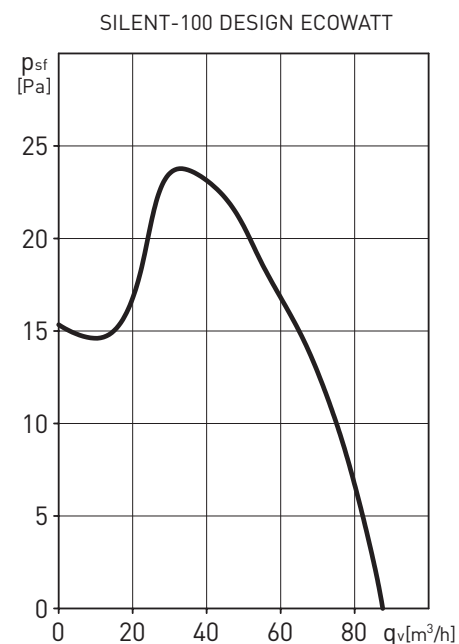
TECHNICAL CHARACTERISTICS

Model	Speed (rpm)	Absorbed power at free discharge (W)	Voltage (V) 50/60 Hz	Sound pressure level* (dB(A))	Airflow at free discharge (m ³ /h)	Insulation/ IP	Ø duct (mm)	Weight (kg)
SILENT-100 DESIGN ECOWATT	2100	5	230	26,5	85	Class II / IP45	100	0,65
KIT SILENT-100 DESIGN 12VDC ECOWATT	2100	8	230	29	90	Class III/IP57 / Class IIIIP21**	100	0,65 / 0,48**

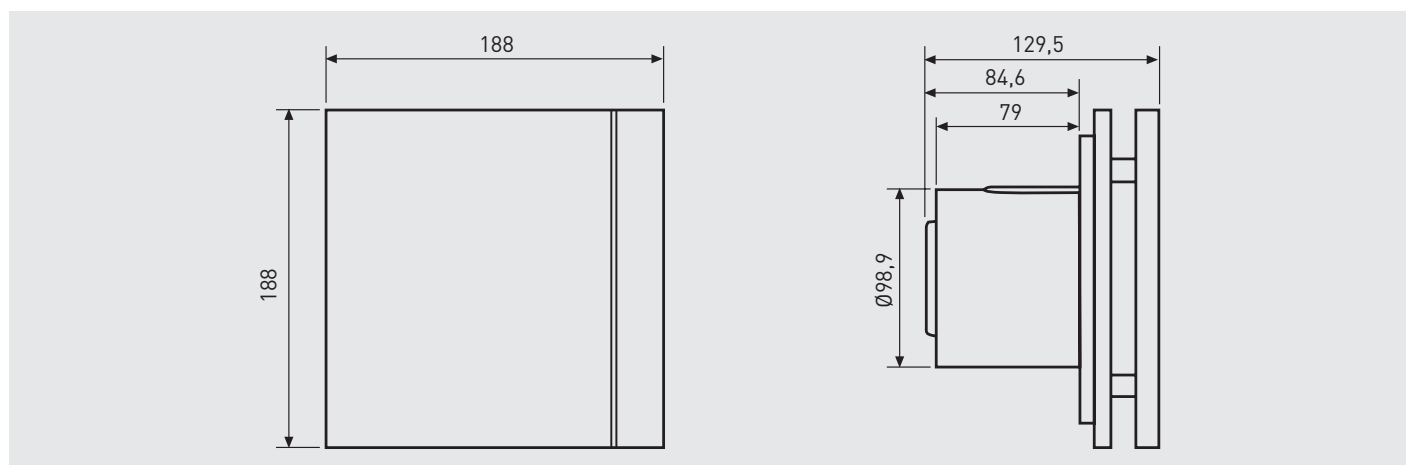
* Sound pressure level measured at 3 m at free air conditions.

** SILENT/CT-12/6.

PERFORMANCE CURVE



DIMENSIONS (mm)



ACCESSORIES



GSA-100
Flexible aluminium ducting.



GRA-70
Aluminium exterior grille.



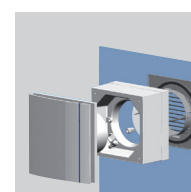
FIXED SHUTTER AND TELESCOPIC DUCT
(200 to 420 mm).



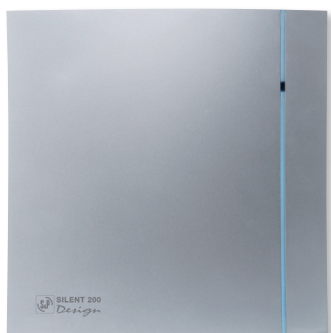
CX-80/125
Worm drive ducting clip.



PER-100W
Back draft shutter.



WINDOW KIT 100
Accessory to allow SILENT-100 in a window.



SILVER versions can be supplied with an aesthetical silver front grille.



Different styles with the colour bars.

Range of axial extractors with airflow rates of 175 m³/h, for connection to 120 mm diameter circular ducting.

Motor mounted on silent-elastic-blocks which absorb the vibrations and allow offering very low noise level. All the fans are manufactured from injection moulded plastic, fitted with automatic shutter and single phase 230V-50Hz, class B low consumption motor equipped with thermal overload protection. All the fans are class II insulation, IP45 rated and suitable to operate with air temperature up to 40°C.



IP45

PROTECTION

**Lp
35
dB**

LOW NOISE

16W!
consumption

ENERGY
EFFICIENT



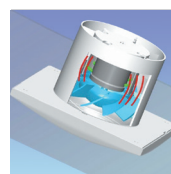
Back draft shutter

To prevent air entry and limit heat leakage when the extractor is not operating. It opens due to the pressure of the air.



Silent-blocks

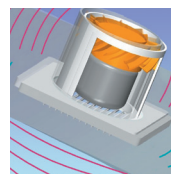
Motor mounted on "Silent-elastic-block" to prevent vibration and noise transmission.



SILENT-200 DESIGN-3C

Quiet operation

In usual extract fans the vibrations are transmitted to the surrounding areas while in SILENT extractor fans the vibrations are absorbed by the Silent Blocks.



USUAL EXTRACTOR



Interchangeable colour bars

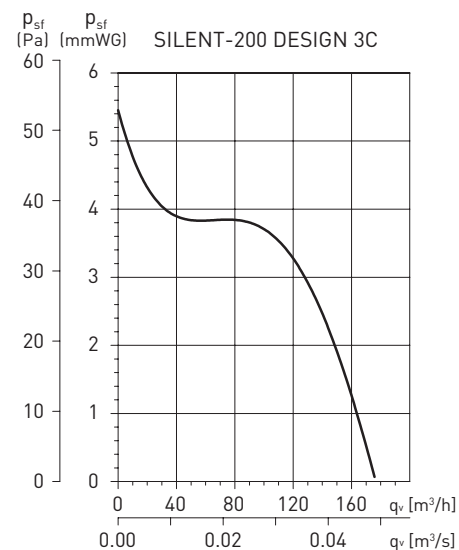
Interchangeable bar lights let the fan blend in with every setting. 4 colours to match the decor of the room: blue, red, green and yellow.

MODEL FEATURES

	CZ DESIGN 3C	CRZ DESIGN 3C	CHZ DESIGN 3C
PILOT LIGHT	●	●	●
BACKDRAFT SHUTTER	●	●	●
ADJUSTABLE RUN-ON-TIMER (1-30MIN)		●	●
ADJUSTABLE HUMIDISTAT			●
BALL BEARINGS	●	●	●
KIT BARS 4 COLOURS	●	●	●
WIRING DIAGRAM*	2, 3	4, 5	1, 4

* See section of Wiring Diagrams.

PERFORMANCE CURVE

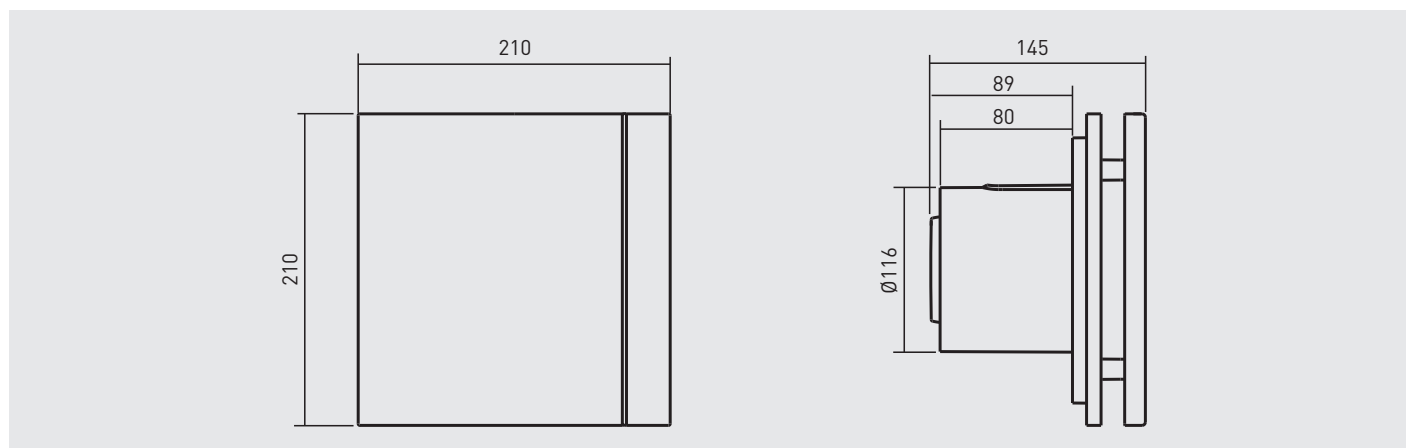


TECHNICAL CHARACTERISTICS

Model	Absorbed power at free discharge (W)	Voltage (V) 50 Hz	Sound pressure level* (dB(A))	Airflow at free discharge (m³/h)	Insulation/ IP	Ø duct (mm)	Weight (kg)
SILENT-200 DESIGN-3C	16	230	35	175	Class II / IP45	120	0,88

* Sound pressure level measured at 3 m at free air conditions.

DIMENSIONS (mm)



ACCESSORIES



GSA-100
Flexible aluminium ducting.



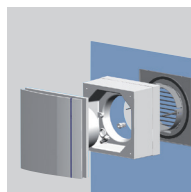
GRA-70
Aluminium exterior grille.



CX-80/125
Worm drive ducting clip.



PER-100W
Back draft shutter.



WINDOW KIT 200
Accessory to allow SILENT-200 in a window.



S&P SILENT 300
 Design

Range of axial extractors with airflow rates up to 300 m³/h, for connection to 150-160 mm diameter circular ducting. Motor mounted on silent-elastic-blocks which absorb the vibrations and allow offering very low noise level (SILENT-300 DESIGN). All the fans are manufactured from injection moulded plastic, fitted with automatic shutter and single phase 230V-50Hz, class B low consumption motor equipped with thermal overload protection.

All the fans are class II insulation, IP45 rated and suitable to operate with air temperature up to 40°C.

Version SILENT-300 PLUS DESIGN for increase performance.

Versions with electronic timer (CRZ) or adjustable hygrostat (CHZ).



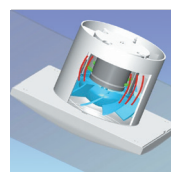
Back draft shutter

To prevent air entry and limit heat leakage when the extractor is not operating. It opens due to the pressure of the air.



Silent-blocks

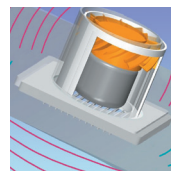
Motor mounted on "Silent-elastic-block" to prevent vibration and noise transmission. (SILENT-300 DESIGN)



SILENT-300 DESIGN-3C

Quiet operation

In usual extract fans the vibrations are transmitted to the surrounding areas while in SILENT extractor fans the vibrations are absorbed by the Silent Blocks.



USUAL EXTRACTOR



Interchangeable colour bars

Interchangeable bar lights let the fan blend in with every setting. 4 colours to match the decor of the room: blue, red, green and yellow.

SILVER version.
 All versions available with Silver front cover.

MODEL FEATURES

	CZ DESIGN 3C	CRZ DESIGN 3C	CHZ DESIGN 3C
PILOT LIGHT	●	●	●
BACKDRAFT SHUTTER	●	●	●
ADJUSTABLE RUN-ON-TIMER (1-30MIN)			●
ADJUSTABLE HUMIDISTAT			●
BALL BEARINGS	●	●	●
SILVER FRONT COVER	●	●	●
WIRING DIAGRAM*	2, 3	4, 5	1, 4

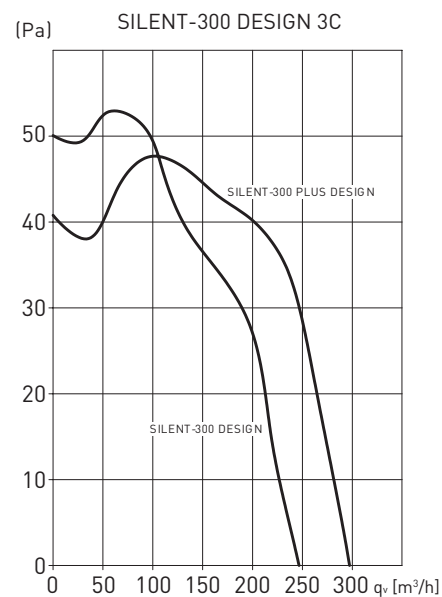
* See section of Wiring Diagrams.

TECHNICAL CHARACTERISTICS

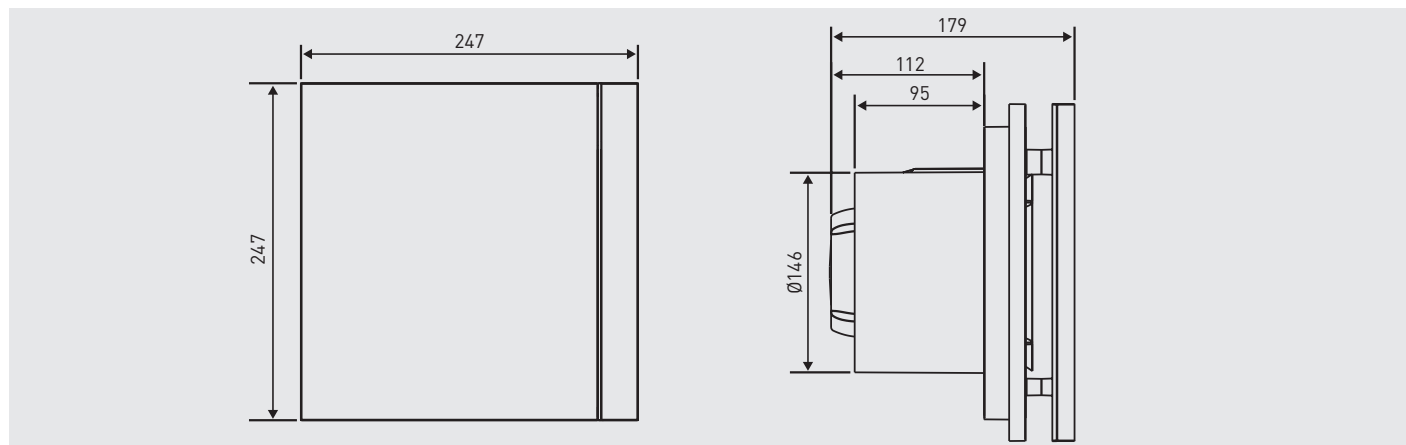
Model	Maximum absorbed power (W)	Voltage (V) 50 Hz	Sound pressure level* (dB(A))	Airflow at free discharge (m³/h)	Insulation/ IP	Ø duct (mm)	Weight (kg)
SILENT-300 DESIGN	26	230	38	250	Class II/IP45	150-160	1,5
SILENT 300 PLUS DESIGN	22	230	42	300	Class II/IP45	150-160	1,9

* Sound pressure level measured at 3 m at free air conditions.

PERFORMANCE CURVES



DIMENSIONS (mm)



ACCESSORIES



GSA-150
Flexible aluminium
ducting.



GRA-150
Aluminium exterior
grille.



REB
Single phase
electronic speed
controllers.



CX-125/215
Worm drive ducting
clip.



PER-160W
Back draft shutter.