



Low profile in-line mixed flow duct explosion proof fans. TD-800 Ex is manufactured in antistatic plastic material. The others models are manufactured from sheet steel protected with black polyester paint coating. Detachable fan unit without demounting duct connections.

**ATEX**

Explosion proof versions in accordance with ATEX Directive, for single phase 230V-50Hz. Motors IP44, Class B. For ambient working temperatures from -20°C to +40°C.

- ATEX Increased safety - Gas  
For model 800.

⊕ II 2G Exe IIC T3 Gb  
EC: LOM 08 ATEX 2052 X Supplement 2.

For models 1100 and 1200.

⊕ II 2G Exe IIC T3 Gb  
EC: LOM 11 ATEX 2021 X Supplement 1.

See data for selection, or refer to Easyvent.



**Mixed flow impeller**  
Efficient performance mixed flow impeller.



**External terminal box and ATEX capacitor**, External terminal box, IP55, easy access, fireproof plastic V0.



**Earth connection.**

**Specific applications**



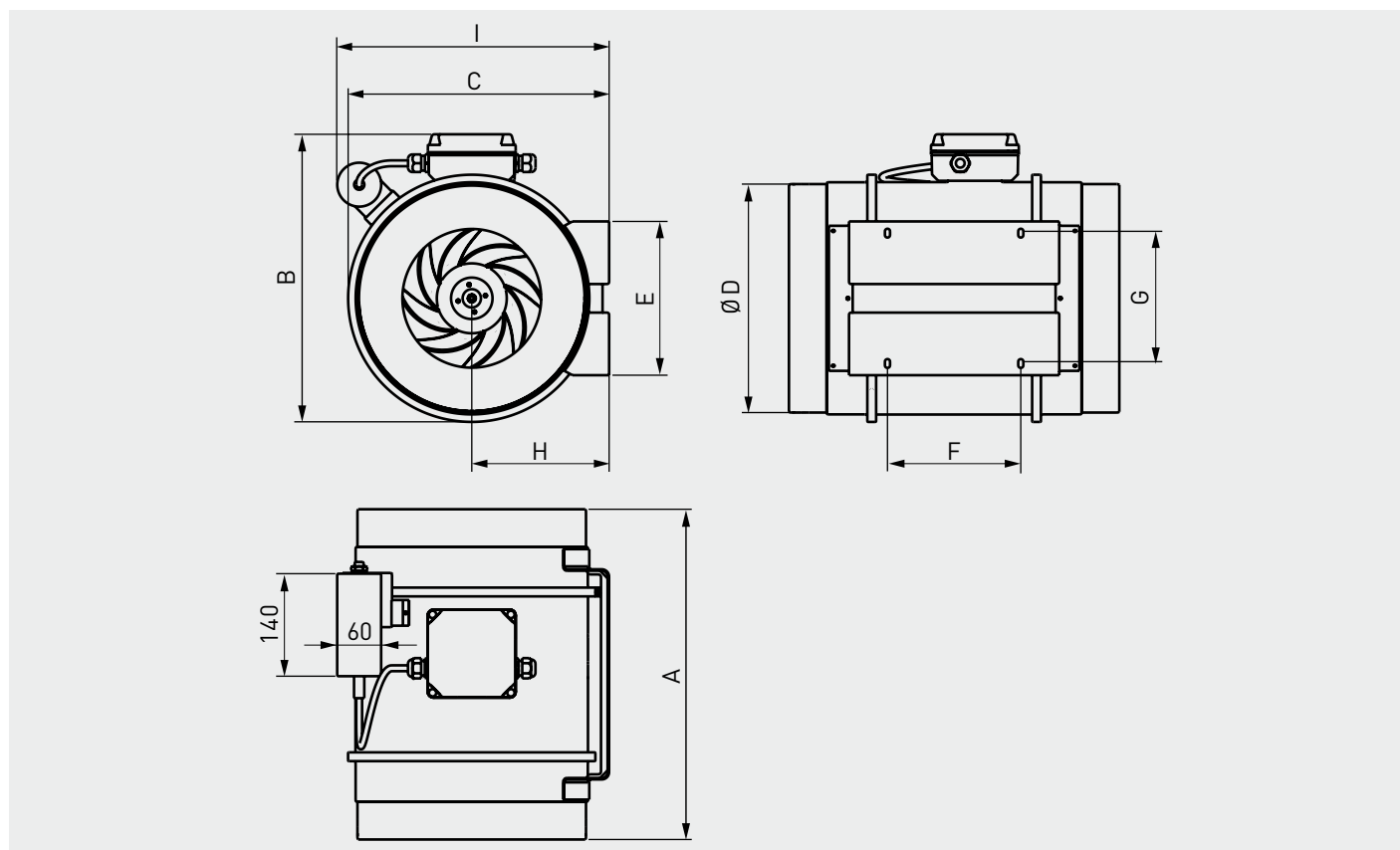
## TECHNICAL CHARACTERISTICS

Model	Speed (rpm)	Maximum absorbed power (W)	Maximum absorbed current (A)	Airflow at free discharge (m <sup>3</sup> /h)	Operating temperature (°C)	Sound pressure level* (dB(A))			Ø Duct (mm)	Weight (kg)	Wiring diagram** (n°)
						Inlet	Radiated	Outlet			
TD-800/200 ATEX	2450	130	0,54	1.020	-20/+40	53	43	55	200	5	38
TD-1100/250 ATEX	2630	197	0,81	1.130	-20/+40	59	46	65	250	20	38
TD-1200/315 ATEX	2600	170	0,71	1.320	-20/+40	56	44	59	315	25	38

\* Radiated sound pressure level measured at 3 m in free field conditions with rigid ducts at the inlet and at the outlet, at point "B" of the curve.

\*\* See section of Wiring Diagrams.

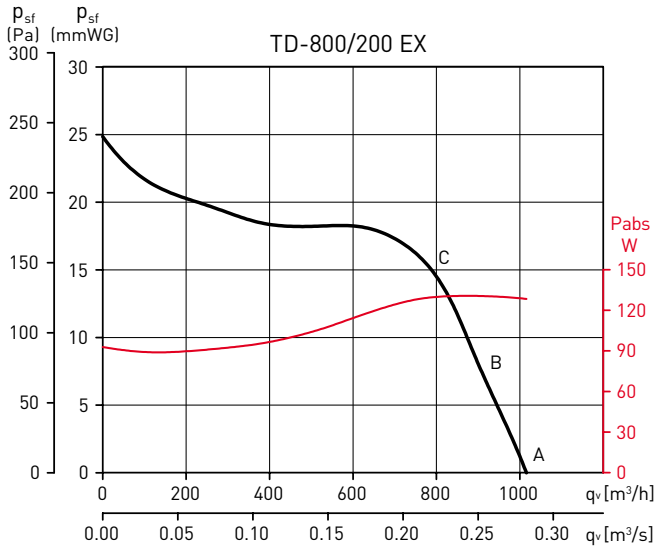
## DIMENSIONS (mm)



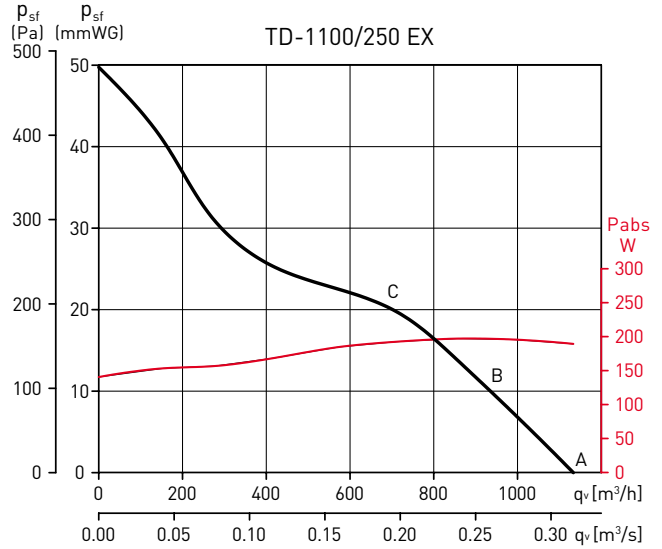
Model	A	B	C	Ø D	E	F	G	H	I
TD-800/200 ATEX	302	255	232,5	198	140	100	94	124	228,4
TD-1100/250 ATEX	386	324	291	248	168	145	140	155	339
TD-1200/315 ATEX	450	392	356	312	210	182	178	188	371

### PERFORMANCE CURVES

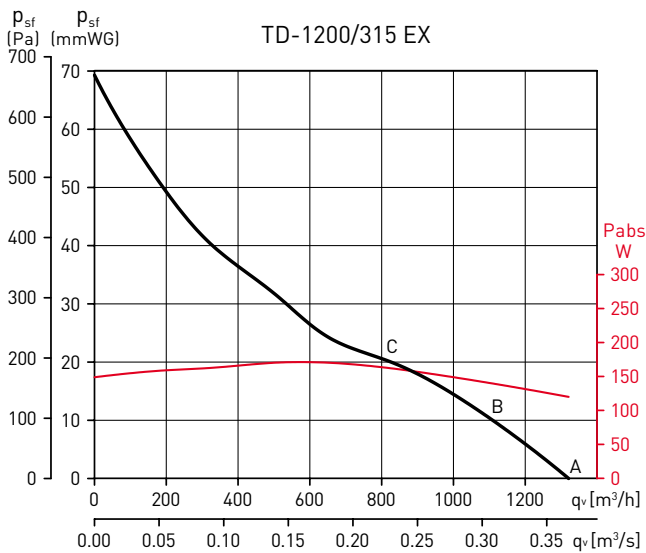
- $q_v$ : Airflow in  $m^3/h$  and  $m^3/s$ .
- $p_{st}$ : Static pressure in mmWG and Pa.
- Dry air at 20°C and 760 mmHg.
- Performance data in accordance with ISO 5801 and AMCA 210-99 Standards.



TD-800/200 EX		63	125	250	500	1000	2000	4000	8000	LwA
Inlet	A	27	43	53	61	69	69	65	56	<b>73</b>
	B	29	43	55	62	69	70	66	56	<b>74</b>
	C	39	49	69	71	74	70	63	55	<b>78</b>
Outlet	A	50	50	53	64	69	71	66	56	<b>74</b>
	B	44	45	54	66	70	71	67	57	<b>75</b>
	C	39	48	68	72	75	71	64	55	<b>78</b>
Radiated	A	7	38	37	44	58	61	52	39	<b>63</b>
	B	9	38	39	45	58	62	53	39	<b>64</b>
	C	19	44	53	54	63	62	50	38	<b>66</b>



TD-1100/250 EX		63	125	250	500	1000	2000	4000	8000	LwA
Inlet	A	40	57	69	75	73	76	66	59	<b>80</b>
	B	40	58	70	75	72	74	65	57	<b>79</b>
	C	40	62	74	73	69	71	62	54	<b>78</b>
Outlet	A	54	55	70	80	82	81	72	62	<b>86</b>
	B	48	53	70	80	81	79	70	61	<b>85</b>
	C	41	56	72	80	78	76	68	58	<b>84</b>
Radiated	A	32	37	45	53	63	65	55	49	<b>68</b>
	B	32	38	46	53	62	63	54	47	<b>66</b>
	C	32	42	50	51	59	60	51	44	<b>63</b>



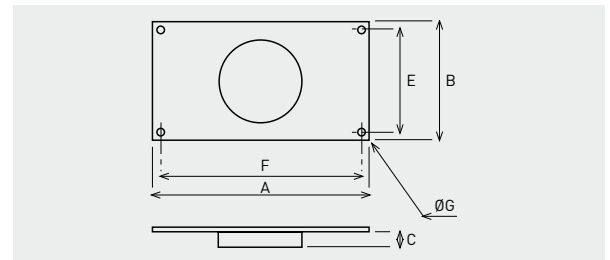
TD-1200/315 EX		63	125	250	500	1000	2000	4000	8000	LwA
Inlet	A	32	55	67	69	71	69	64	59	<b>76</b>
	B	34	58	70	70	71	69	64	59	<b>76</b>
	C	39	63	73	72	73	70	65	58	<b>79</b>
Outlet	A	47	55	67	72	74	72	67	62	<b>78</b>
	B	42	57	71	73	74	72	67	61	<b>79</b>
	C	39	60	74	75	75	74	68	60	<b>81</b>
Radiated	A	20	37	49	55	61	60	51	48	<b>65</b>
	B	22	40	52	56	61	60	51	48	<b>65</b>
	C	27	45	55	58	63	61	52	47	<b>66</b>

**MOUNTING ACCESSORIES**



**MAR**  
 Rectangular duct adapters.

Model	Type of TD-ATEX	Nominal dim. of ducting L x H (mm)
MAR - 800	800/200	315 x 200
MAR - 1000	1100/250	400 x 250
MAR - 2000	1200/315	500 x 315



Model	A	B	C	E	F	ØG
MAR - 800	355	240	37	220	335	9
MAR - 1000	440	290	42	270	420	9
MAR - 2000	540	355	52	355	520	9

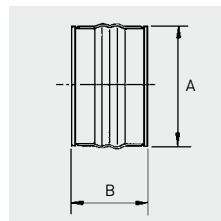


**MRJ**  
**Grilles** mounted at the inlet or outlet of the fan, to prevent the entry of any foreign objects that could damage the fan.

Model	Type of TD-ATEX
MRJ - 800	800/200
MRJ - 1000	1100/250
MRJ - 2000	1200/315



**ACOPEL EX**  
 Proof explosion flexible connection.



Model fan	Model connection	ØA	B
TD-800/200 EX	ACOPEL EX-200/160 N	200	160
TD-1100/250 EX	ACOPEL EX-250/160 N	250	160
TD-1200/315 EX	ACOPEL EX-315/160 N	315	160

For more information see Mounting accessories.