



Type T



Range of belt driven single inlet centrifugal fans, designed for emergency fire smoke extraction in fire conditions and certified F400-120. The fans are also suitable for supply or exhaust applications in commercial and industrial buildings. Sizes of this series are in accordance with AMCA standard 99-0098-76 and DIN323R20.

Operating limit

Each fan type has its maximum operating speed and power due to its mechanical design. The operating limit of BSP series is adjusted to meet the requirement of class I limit as defined in AMCA standard 99-2408-69.

Motor

Foot-mounted motor (B3), IP55, Class F insulation.

Electrical supplies:

Three phase 230/400V-50Hz up to 3kW.

Three phase 400V-50Hz for higher power motors.

1 speed motor are speed controllable.

Wheel

The wheel of BSP series has backward curved blades manufactured in cold rolled sheet steel with polyester powder coating finish.

Housing

For all sizes except 1250 and above, the housing is manufactured in galvanized sheet steel with the housing fixed to the side plates in "pittsburg lock" form system. Housing for 1250 and 1400 are manufactured in mild steel finished with polyester powder coating.

Frame

The frame is manufactured with galvanized angular bars for type "C". For type "T", they are manufactured with sections of steel and finished with polyester powder coating.



Type C

Specific applications



Approved to EN12101-3 standard



Continuous



Parkings



Industrial and commercial kitchens

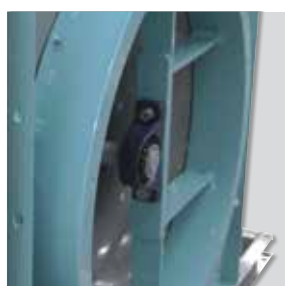


Versions

Deep groove ball bearing type for medium duty



Assembly type C



Assembly type T

Type C (models from 315 to 630)

This type has a frame fitted on both sides of the fan which gives better strength and rigidity. It allows mounting in four different orientations, either CW or CCW rotation.

Type T (models from 710 to 1400)

This type has a welded frame giving increased stiffness and rigidity required for higher operating performance, either CW or CCW rotation.

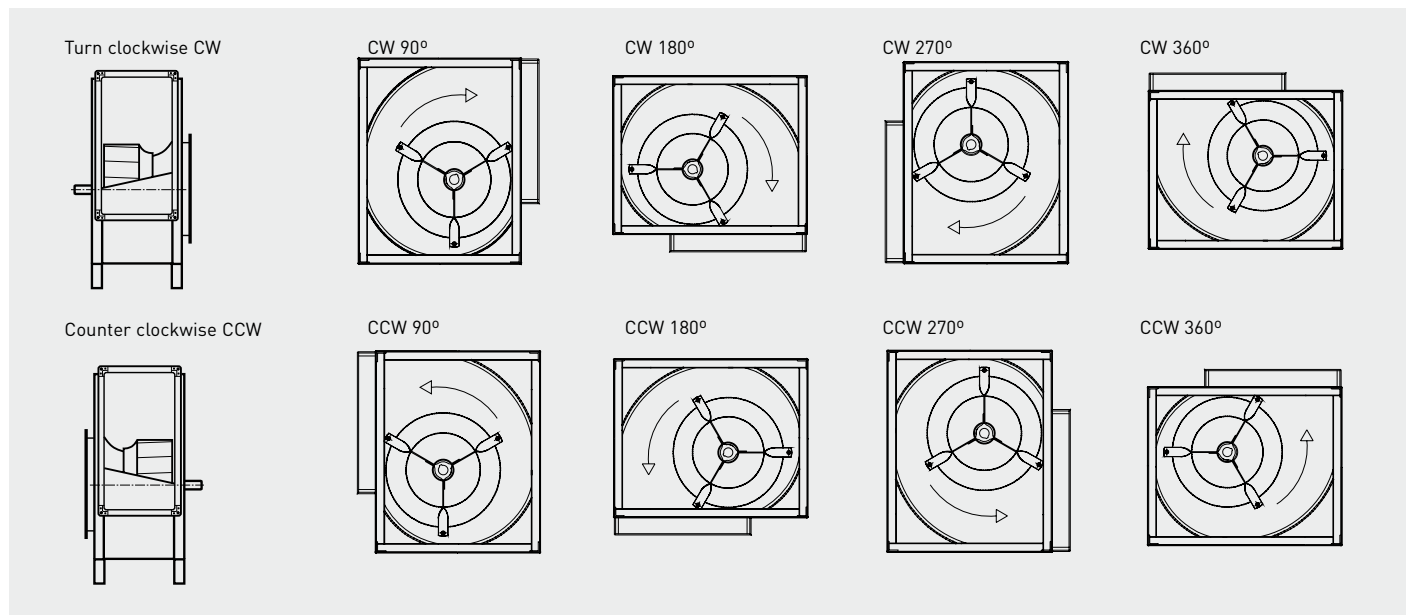
On request

2 speed motors.

Epoxy paint.

Inspection door and drain hole.

POSITIONS

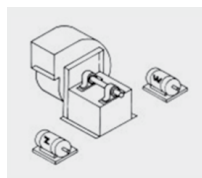


REFERENCE

B S P - 8 0 0 - T M - 11kW - 9 0 0 - 9 0 - C C W - 4 0 0 V - 5 0 H z - Z

1 2 3 4 5 6 7 8 9

- 1 - : Serie.
- 2 - : Impeller diameter (mm).
- 3 - : Fan type.
- 4 - : Motor power (kW).
- 5 - : Fan speed (rpm).
- 6 - : Orientation (°).
- 7 - : Rotation type.
- 8 - : Electrical supply.
- 9 - : Motor position (facing the drive side):
Z: Motor on left side.
W: Motor on right side.



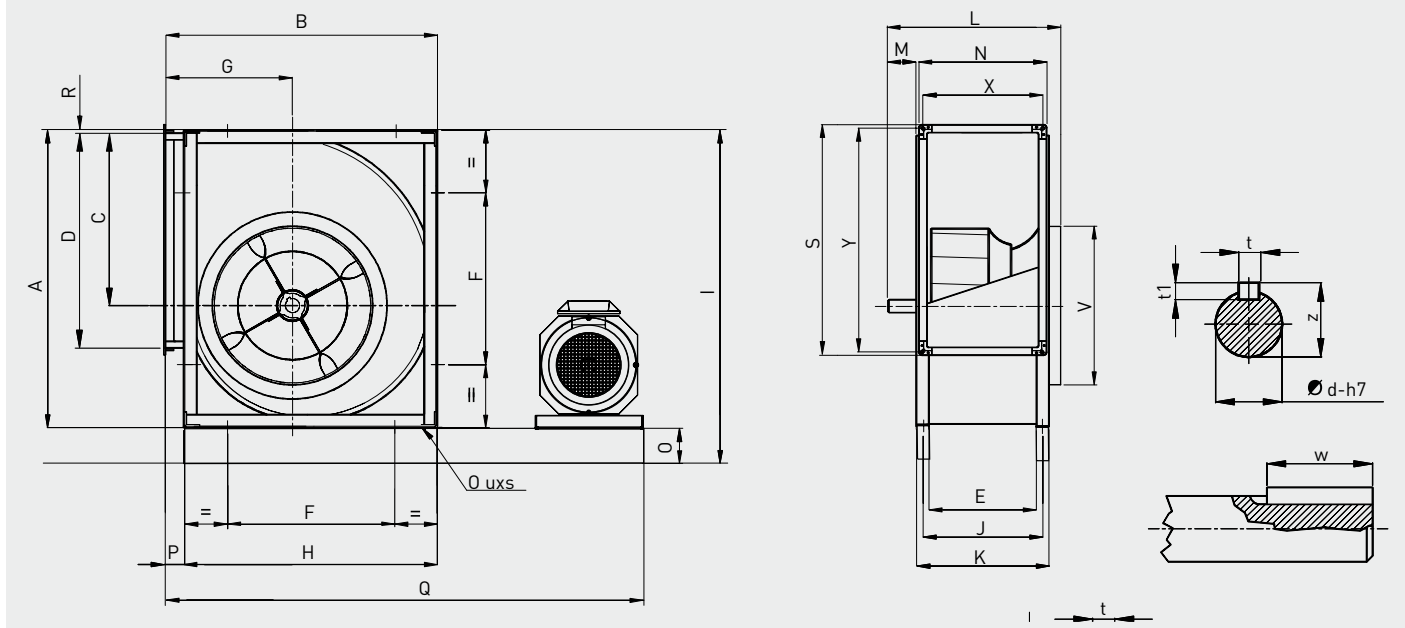
TECHNICAL CHARACTERISTICS

Before making any electrical connection ensure that the voltage and frequency of the mains electrical supply matches that of the fan data place label.

Model	Minimum motor power (kW)	Maximum motor power (kW)	N. min (rpm)	N. max (rpm)	Maximum temperature in continuous operation (°C)	Weight (kg)
315	0,25	3	1400	3100	100	19
355	0,25	4	1200	2800	100	25
400	0,55	4	1300	2500	100	33
450	0,55	5,5	1000	2200	100	42
500	0,75	5,5	900	1950	100	55
560	0,75	7,5	800	1800	100	76
630	0,75	7,5	700	1500	100	101
710	1,1	11	600	1350	100	189
800	1,1	15	500	1200	100	228
900	1,5	15	500	1050	100	285
1000	3	18,5	500	950	100	338
1120	3	22	400	850	100	575
1250	3	30	350	780	100	769
1400	5,5	45	350	680	100	1048

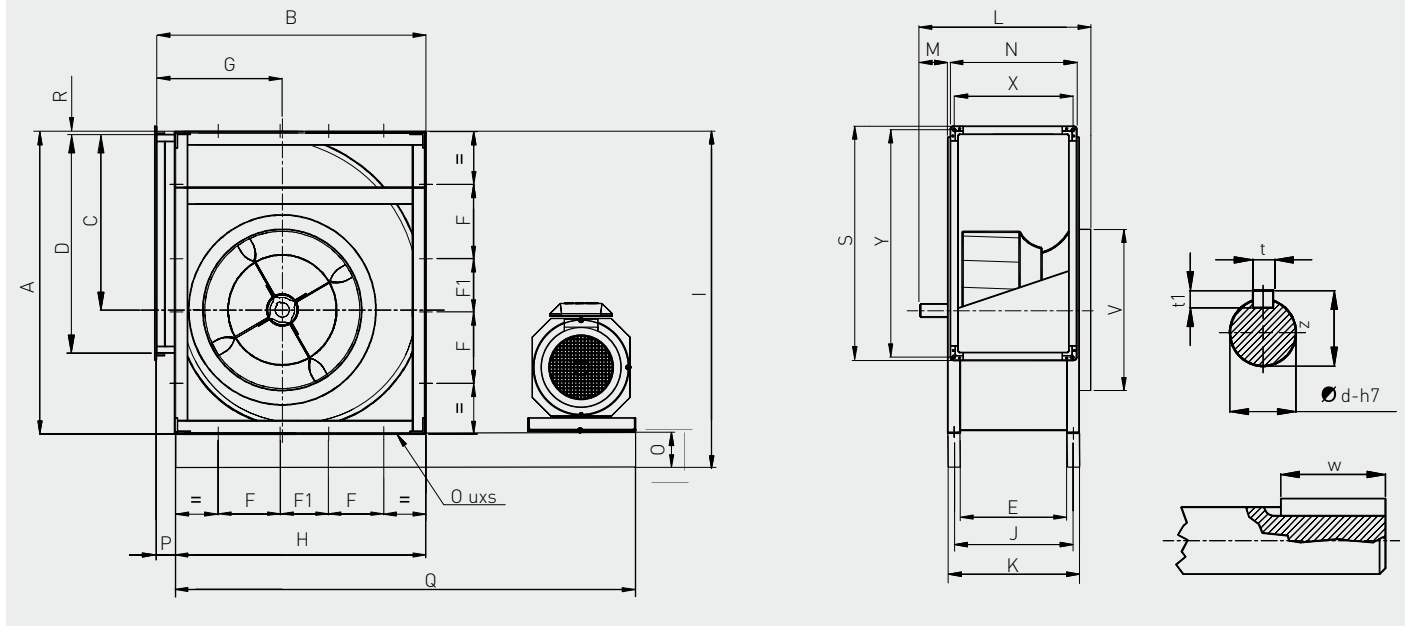
DIMENSIONS (mm)

BSP 315 - 400 'C'



Model	A	B	C	D	E	F	G	H	I	J	K	L	M	N	O	P	Q	R	S	V	X	Y	t	t1	w	z	ød	uxs
315	578	518	340	404	223	330	236	480	681	253	283	451	78	279	80	38	1079	3	460	319	251	432	8	7	40	28	25	13x18
355	654	578	383	452	247	368	260	548	754	287	327	479	72	303	80	30	1138	6	508	359	275	480	8	7	40	33	30	13x18
400	736	650	432	506	274	402	290	612	839	314	354	506	72	330	80	38	1244	5	562	404	302	534	8	7	40	33	30	13x18

BSP 450- 630 'C'



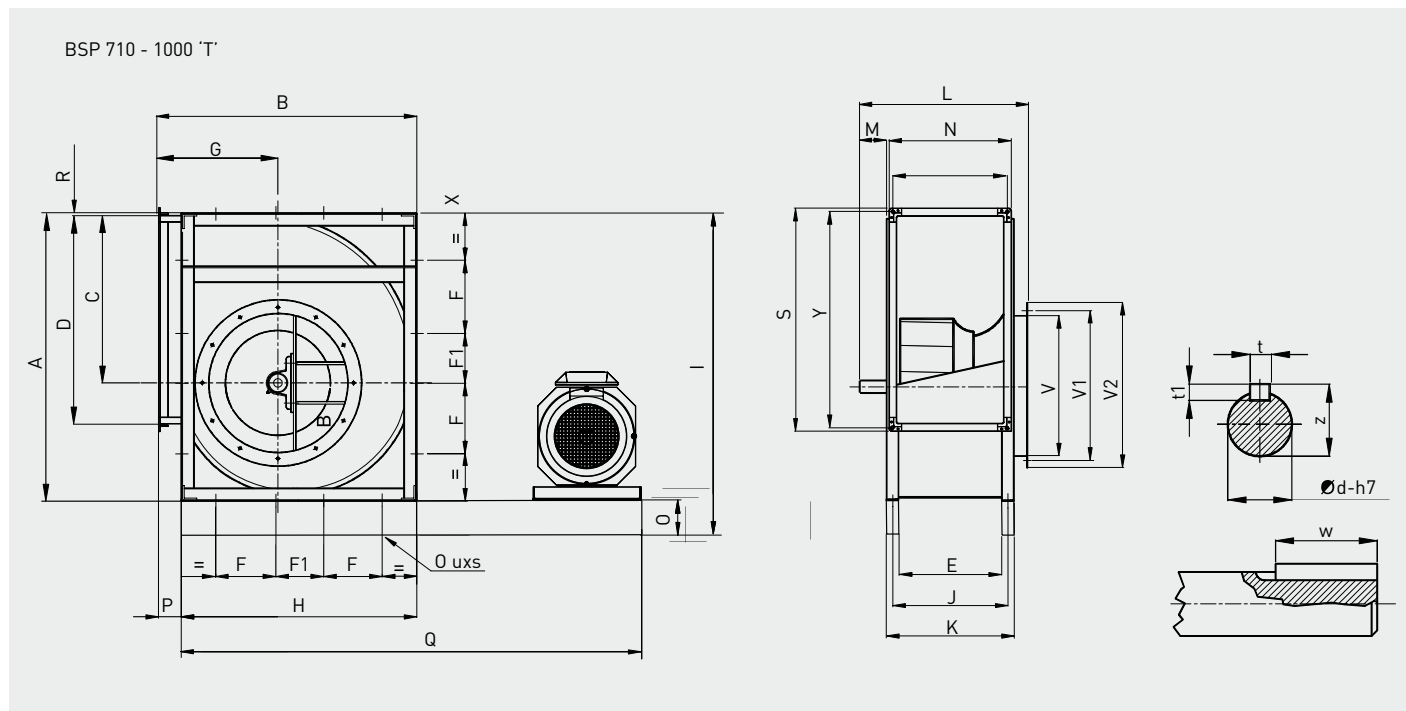
Model	A	B	C	D	E	F	F1	G	H	I	J	K	L	M	N	O	P	Q	R	S	V	X	Y	t	t1	w	z	ød	uxs
450	827	726	486	568	308	200	111	322	681	930	348	388	556	88	364	80	45	1301	5	624	454	336	596	10	8	50	38	35	13x18
500	918	800	538	638	345	245	120	352	750	1019	385	425	593	88	401	80	50	1408	5	694	504	373	666	10	8	50	38	35	13x18
560	1030	892	603	714	383	280	125	390	844	1133	433	483	653	100	439	80	48	1504	7	770	564	411	742	12	8	70	43	40	13x18
630	1157	998	679	800	433	328	110	434	945	1261	483	533	703	100	489	80	53	1610	6	856	634	461	828	12	8	70	43	40	13x18

SINGLE INLET CENTRIFUGAL FANS

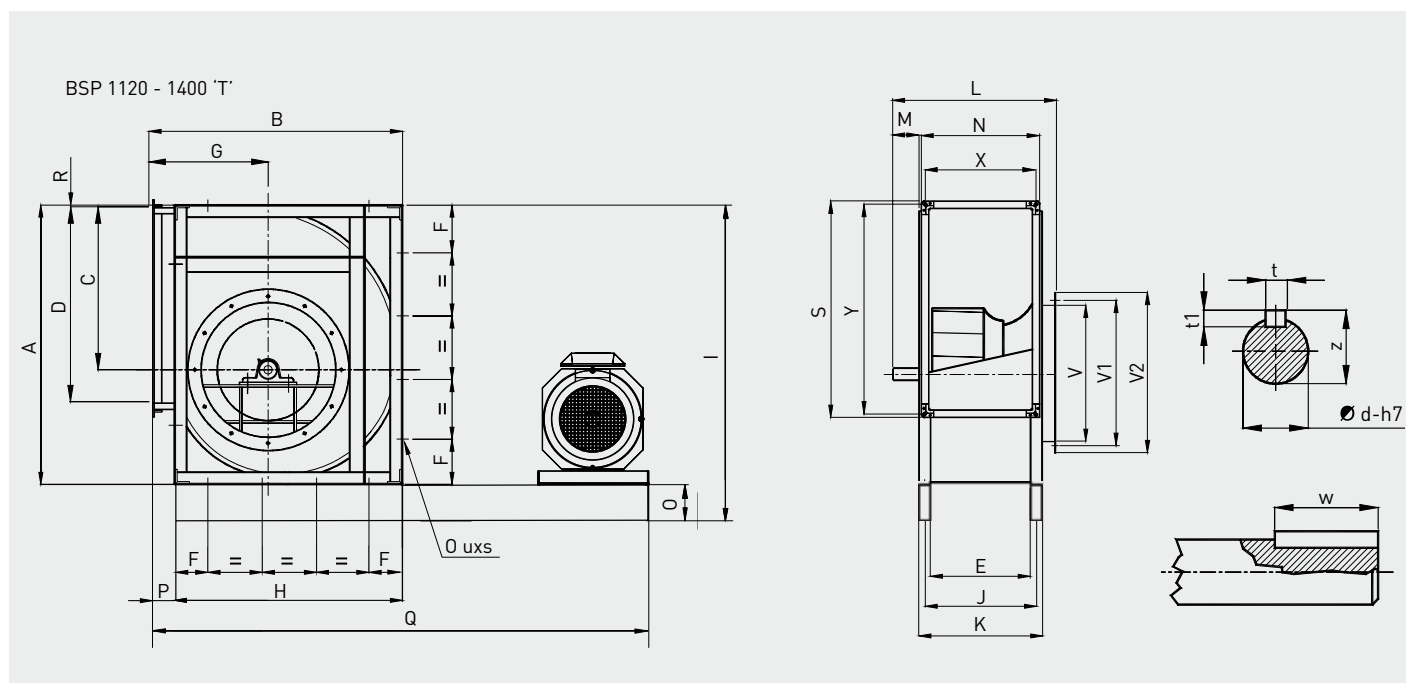
BSP Serie, F400-120 RATED FANS



DIMENSIONS (mm)



Model	A	B	C	D	E	F	F1	G	H	I	J	K	L	M	N	O	P	Q	R	S	V	V1	V2	X	Y	t	t1	w	z	ød	uxs
710	1302	1120	765	898	479	360	150	484	1057	1403	529	579	763	114	535	100	63	1815	7	954	710	751	796	507	926	14	9	70	48,5	45	17x22
800	1468	1254	862	1006	533	405	171	540	1180	1565	583	633	817	114	589	100	74	1908	7	1062	800	837	886	561	1034	14	9	70	48,5	45	17x22
900	1648	1408	971	1130	595	455	189	604	1319	1759	645	695	906	141	651	100	89	2021	7	1186	900	934	986	623	1158	16	10	90	59	55	17x22
1000	1810	1540	1066	1266	663	500	200	656	1450	1913	713	763	974	141	719	100	90	2142	9	1322	1000	1043	1086	691	1294	16	10	90	59	55	17x22

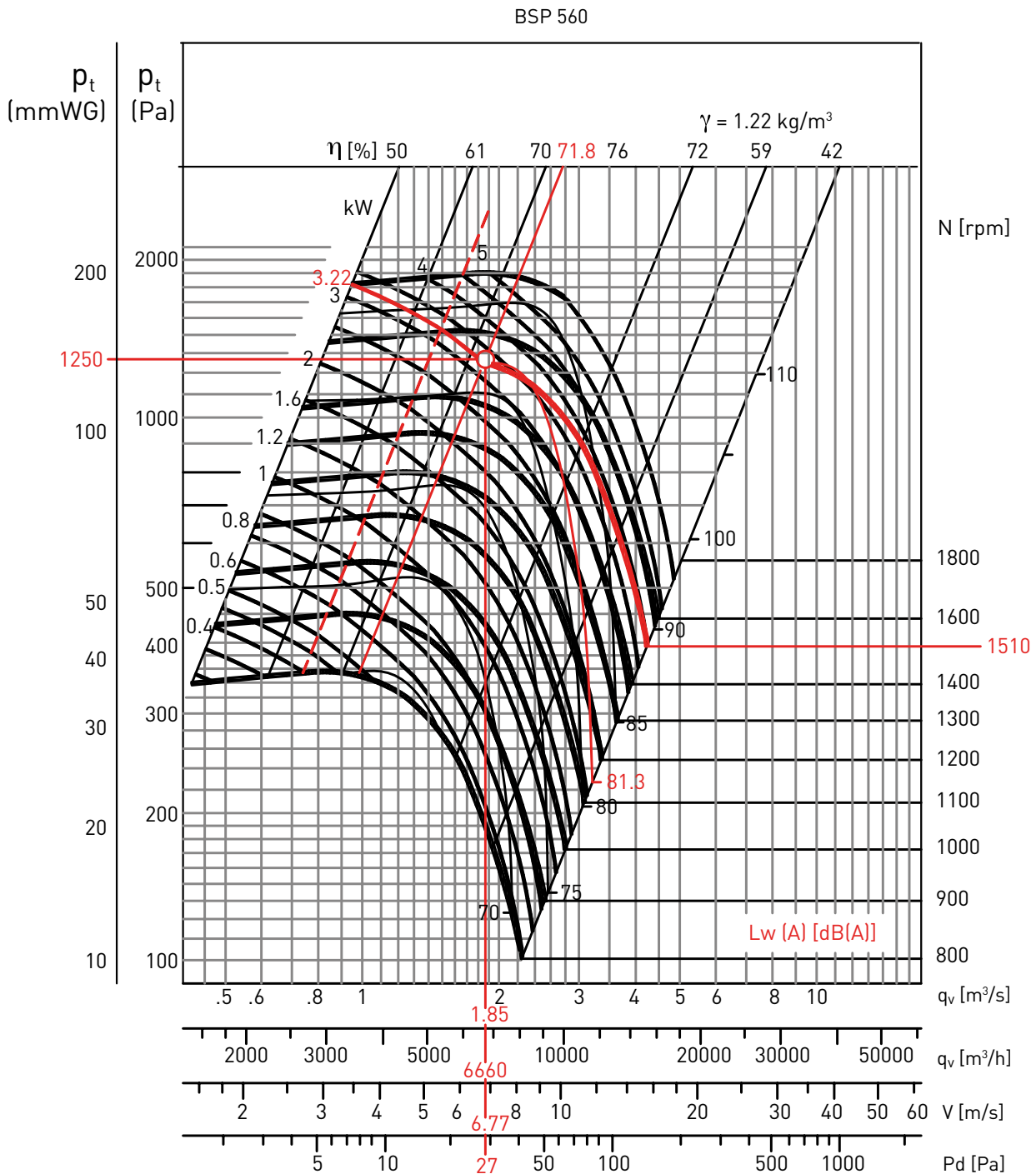


Model	A	B	C	D	E	F	G	H	I	J	K	L	M	N	O	P	Q	R	S	V	V1	V2	X	Y	t	t1	w	z	ød	uxs
1120	2033	1725	1200	1422	744	290	748	1630	2254	804	870	1146	133	800	200	95	2358	9	1478	1120	1180	1226	772	1450	18	11	90	64	60	17x22
1250	2285	1930	1353	1524	803	300	830	1831	2512	878	953	1232	148	859	200	99	2562	9	1580	1250	1303	1358	831	1552	18	11	110	69	65	17x22
1400	2568	2170	1515	1794	934	310	963	2057	2819	1009	1084	1381	166	990	200	113	3060	13	1850	1400	1480	1506	962	1822	20	12	110	74,5	70	17x22

PERFORMANCE CURVES - EXAMPLE OF SELECTION

- Airflow: $q_v = 6660 \text{ m}^3/\text{h}$
- Outlet velocity: $V = 6.77 \text{ m/s}$
- Dynamic pressure: $P_d = 27 \text{ Pa}$
- Total pressure: $p_t = 1250 \text{ Pa}$
- Fan speed: $N = 1510 \text{ rpm}$
- Absorbed power: $W = 3.22 \text{ kW}$
- Total efficiency: $\eta = 71.8 \%$
- Sound power level: $L_w(A) = 81.3 \text{ dB(A)}$

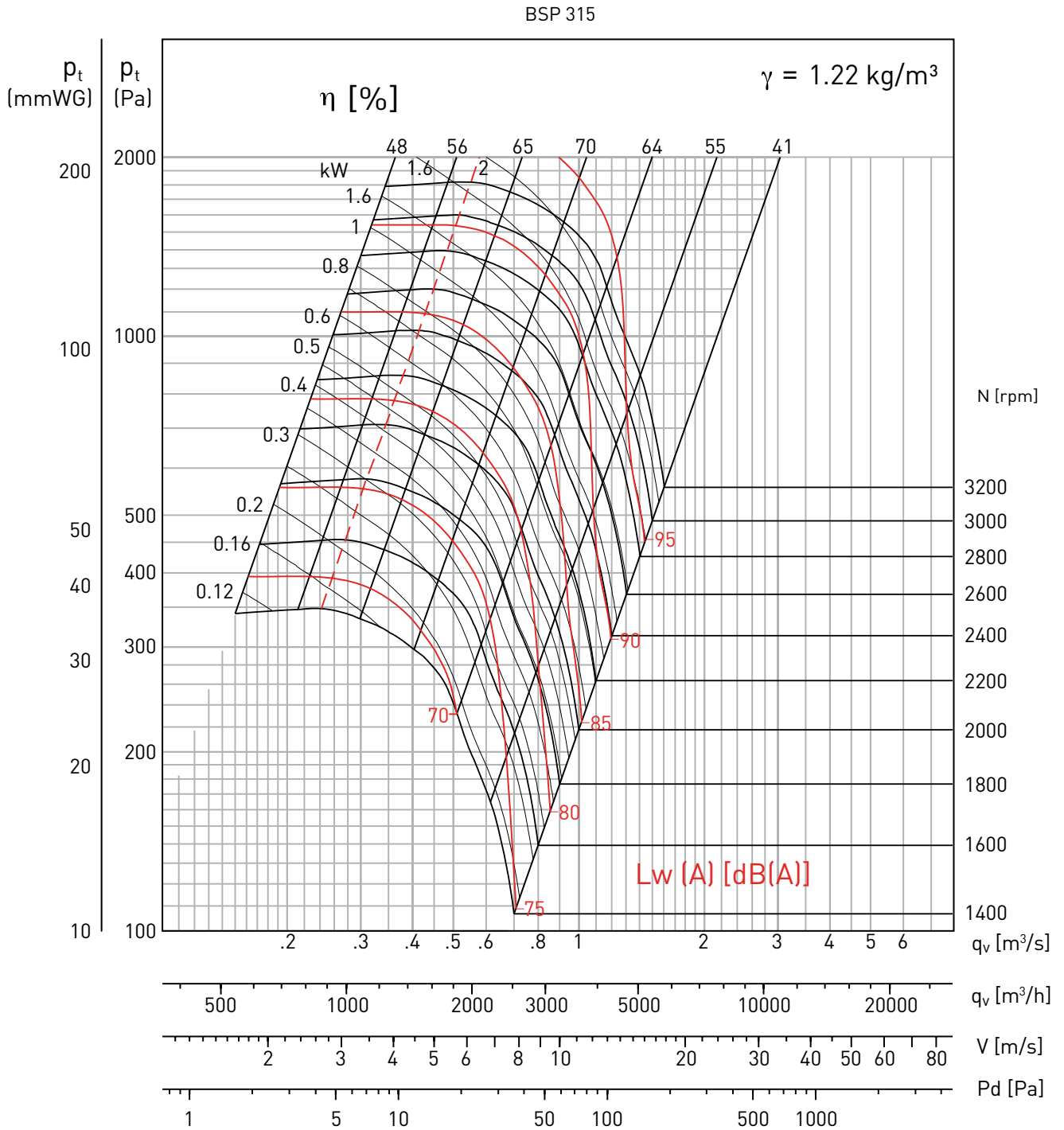
- Performance shown is for Installation type B - free inlet, ducted outlet. Performance ratings do not include the effects of appurtenances in the airstream. Power rating kW does not include drive losses.
- The A-weighted sound ratings shown have been calculated per AMCA standard 301. Values shown are for inlet $L_{wi}(A)$ sound power levels for installation type B - free inlet, ducted outlet. Ratings do not include the effect of duct end corrections.



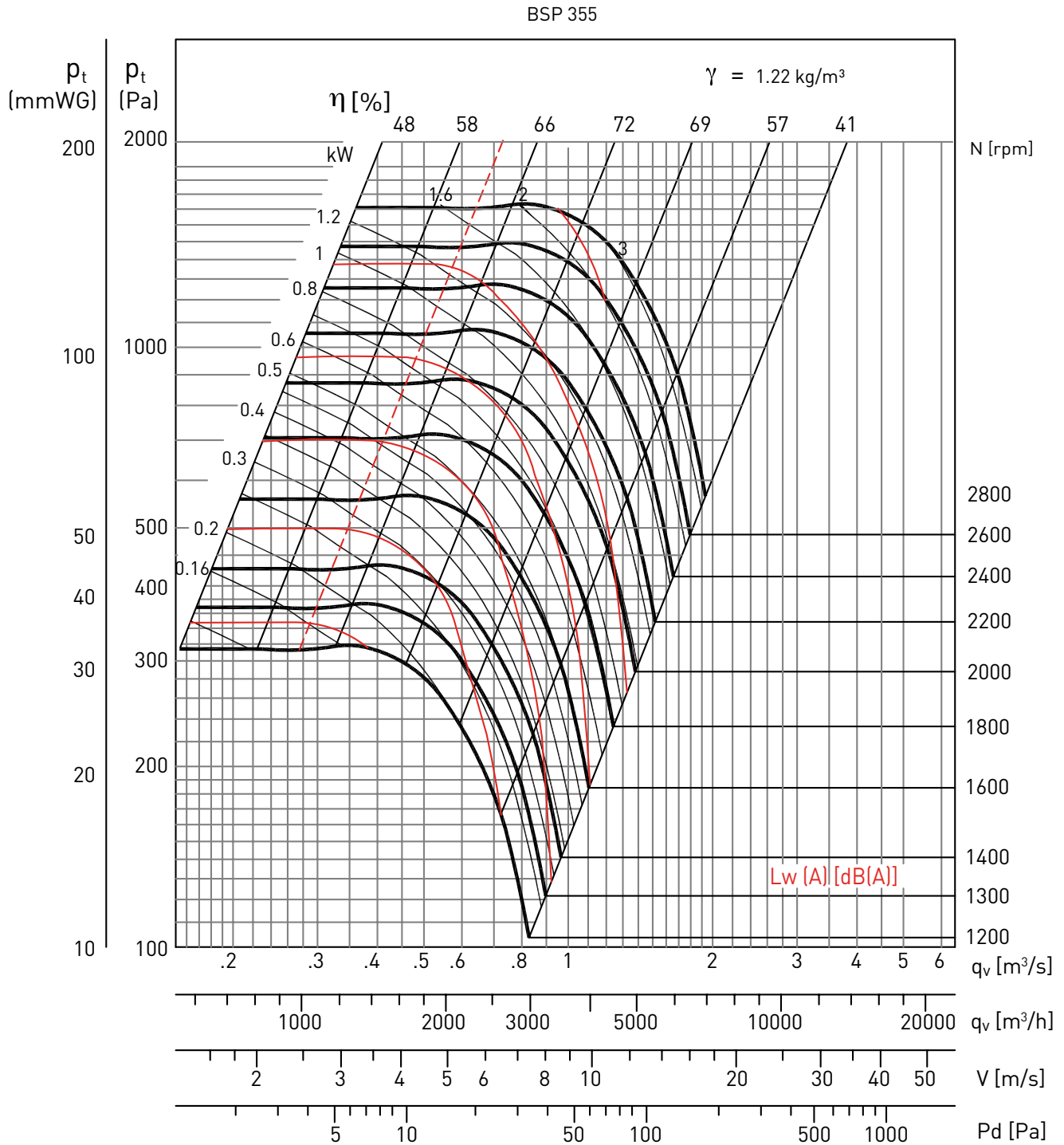
SINGLE INLET CENTRIFUGAL FANS
BSP Serie, F400-120 RATED FANS



- Performance shown is for Installation type B - free inlet, ducted outlet. Performance ratings do not include the effects of appurtenances in the airstream. Power rating kW does not include drive losses.
- The A-weighted sound ratings shown have been calculated per AMCA standard 301. Values shown are for inlet Lwi(A) sound power levels for installation type B - free inlet, ducted outlet. Ratings do not include the effect of duct end corrections.



- Performance shown is for Installation type B - free inlet, ducted outlet. Performance ratings do not include the effects of appurtenances in the airstream. Power rating kW does not include drive losses.
- The A-weighted sound ratings shown have been calculated per AMCA standard 301. Values shown are for inlet Lwi(A) sound power levels for installation type B - free inlet, ducted outlet. Ratings do not include the effect of duct end corrections.

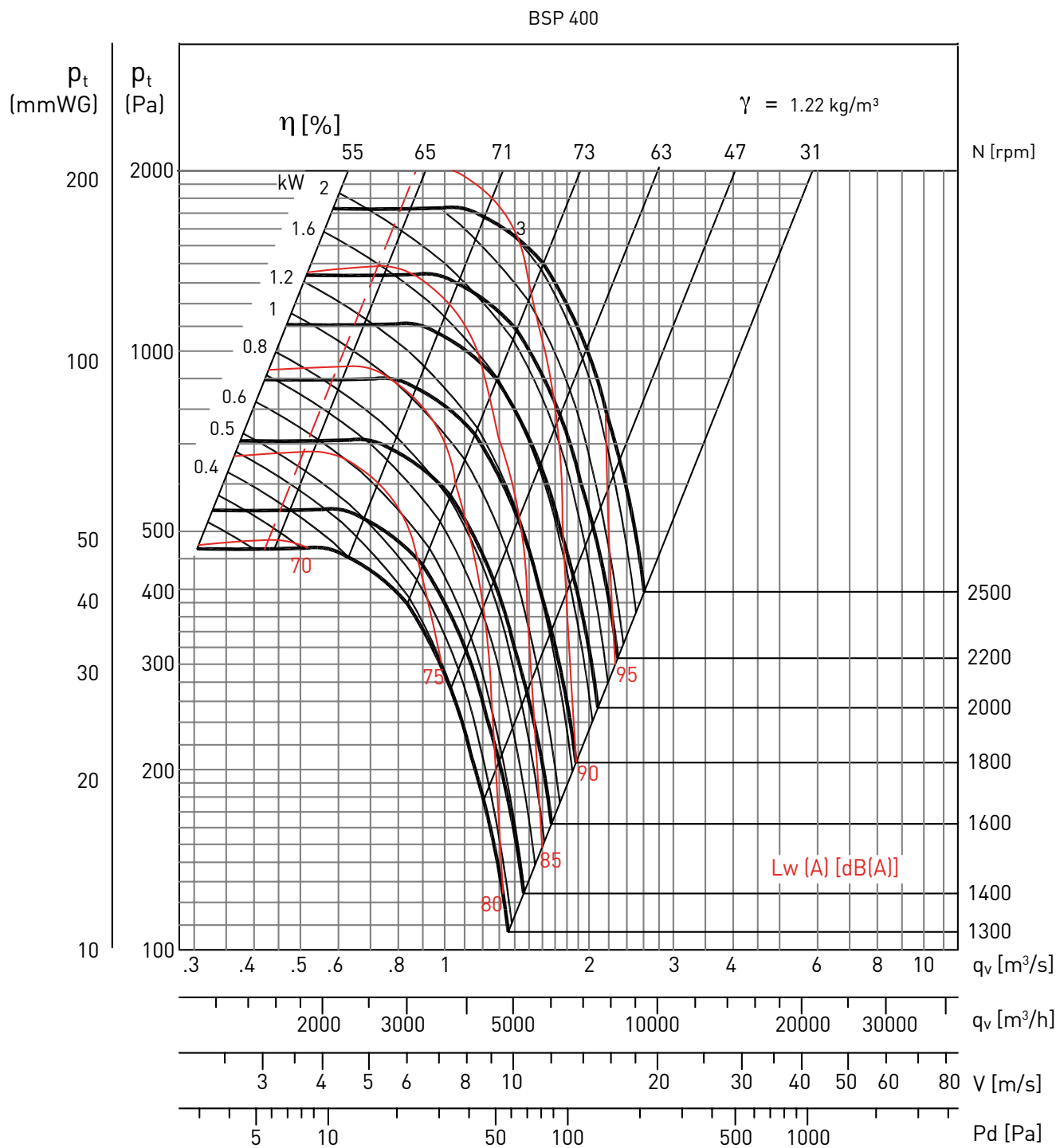


SINGLE INLET CENTRIFUGAL FANS

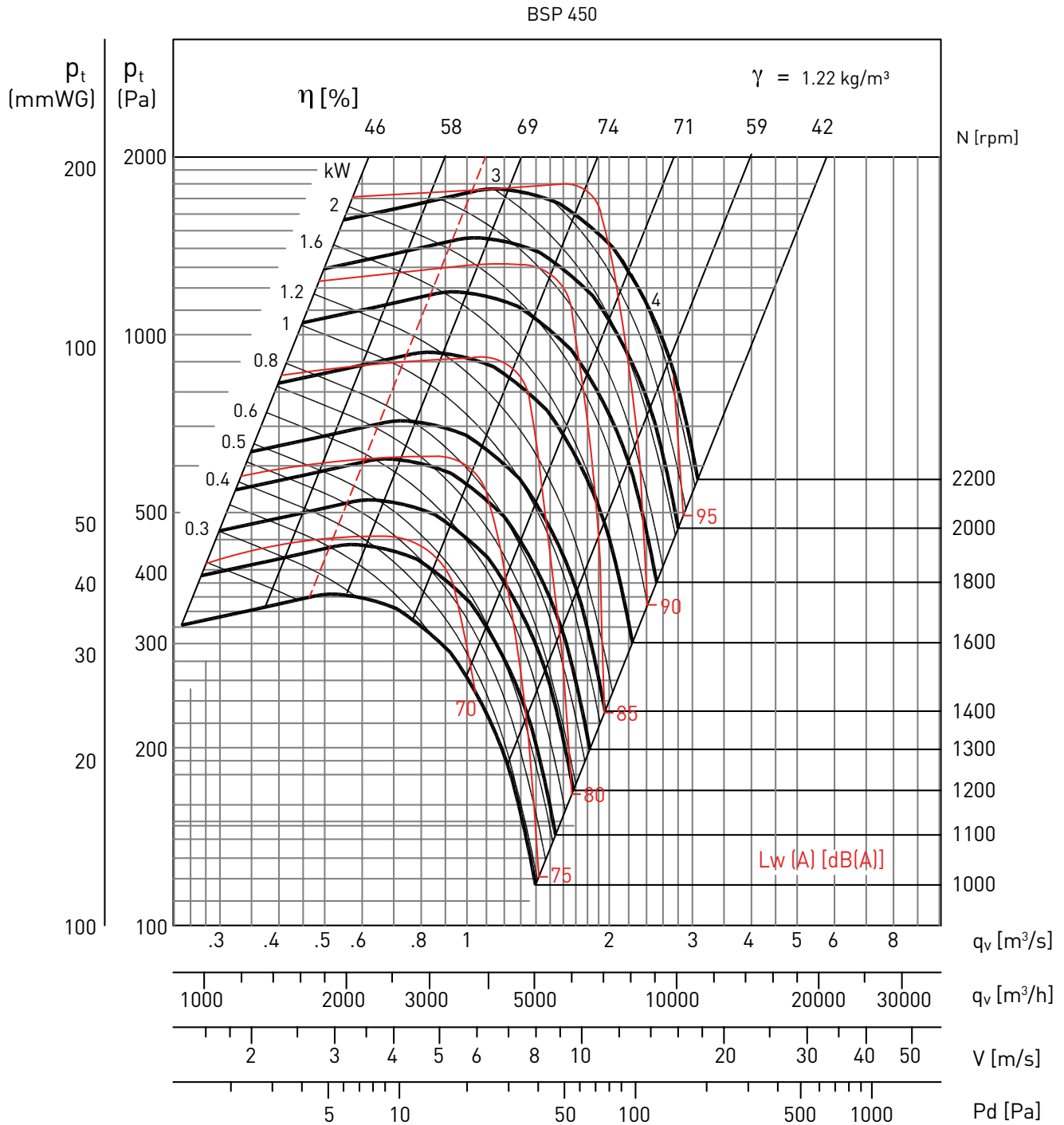
BSP Serie, F400-120 RATED FANS



- Performance shown is for Installation type B - free inlet, ducted outlet. Performance ratings do not include the effects of appurtenances in the airstream. Power rating kW does not include drive losses.
- The A-weighted sound ratings shown have been calculated per AMCA standard 301. Values shown are for inlet Lwi(A) sound power levels for installation type B - free inlet, ducted outlet. Ratings do not include the effect of duct end corrections.



- Performance shown is for Installation type B - free inlet, ducted outlet. Performance ratings do not include the effects of appurtenances in the airstream. Power rating kW does not include drive losses.
- The A-weighted sound ratings shown have been calculated per AMCA standard 301. Values shown are for inlet Lw(A) sound power levels for installation type B - free inlet, ducted outlet. Ratings do not include the effect of duct end corrections.

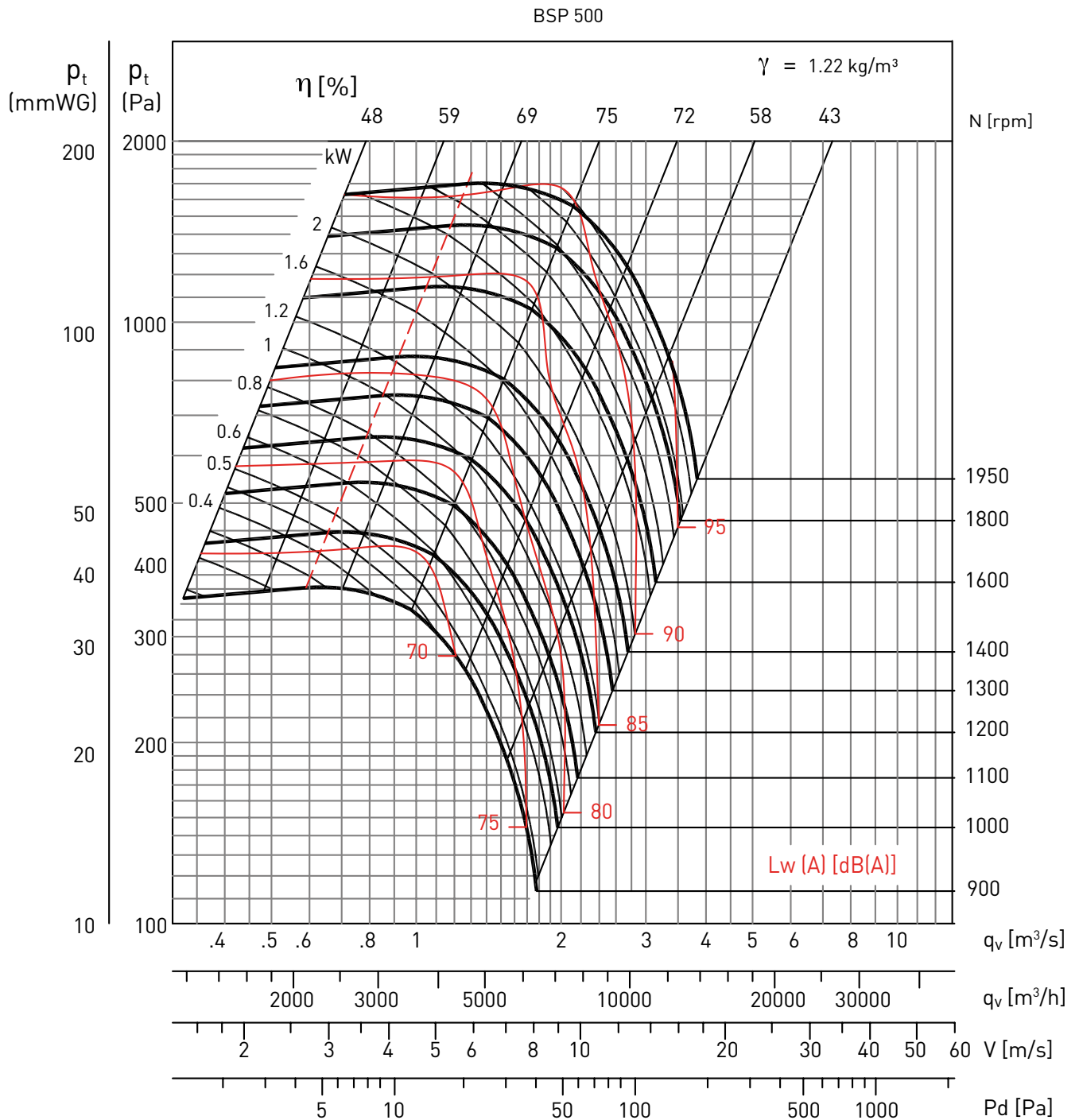


SINGLE INLET CENTRIFUGAL FANS

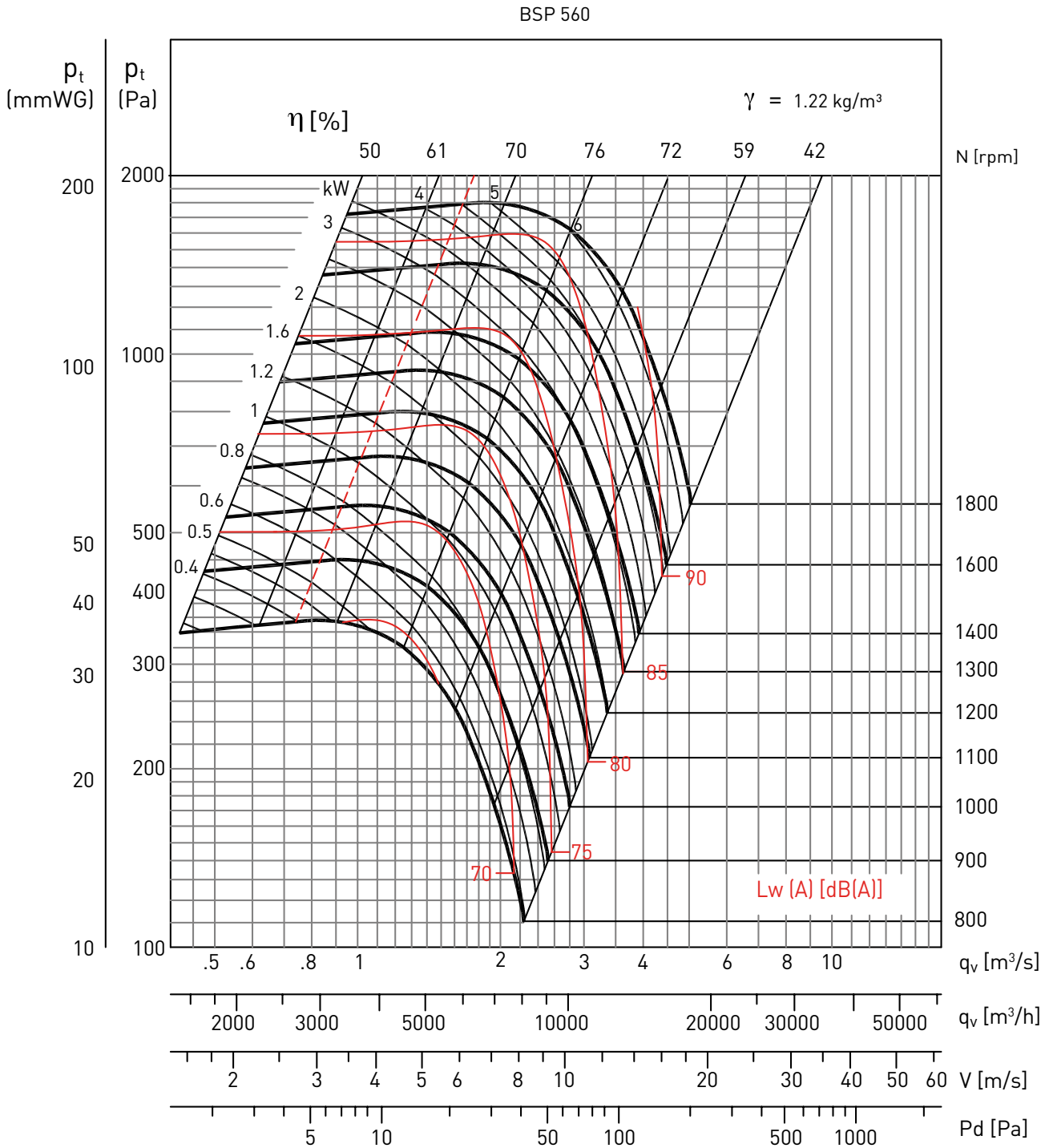
BSP Serie, F400-120 RATED FANS



- Performance shown is for Installation type B - free inlet, ducted outlet. Performance ratings do not include the effects of appurtenances in the airstream. Power rating kW does not include drive losses.
- The A-weighted sound ratings shown have been calculated per AMCA standard 301. Values shown are for inlet Lwi(A) sound power levels for installation type B - free inlet, ducted outlet. Ratings do not include the effect of duct end corrections.



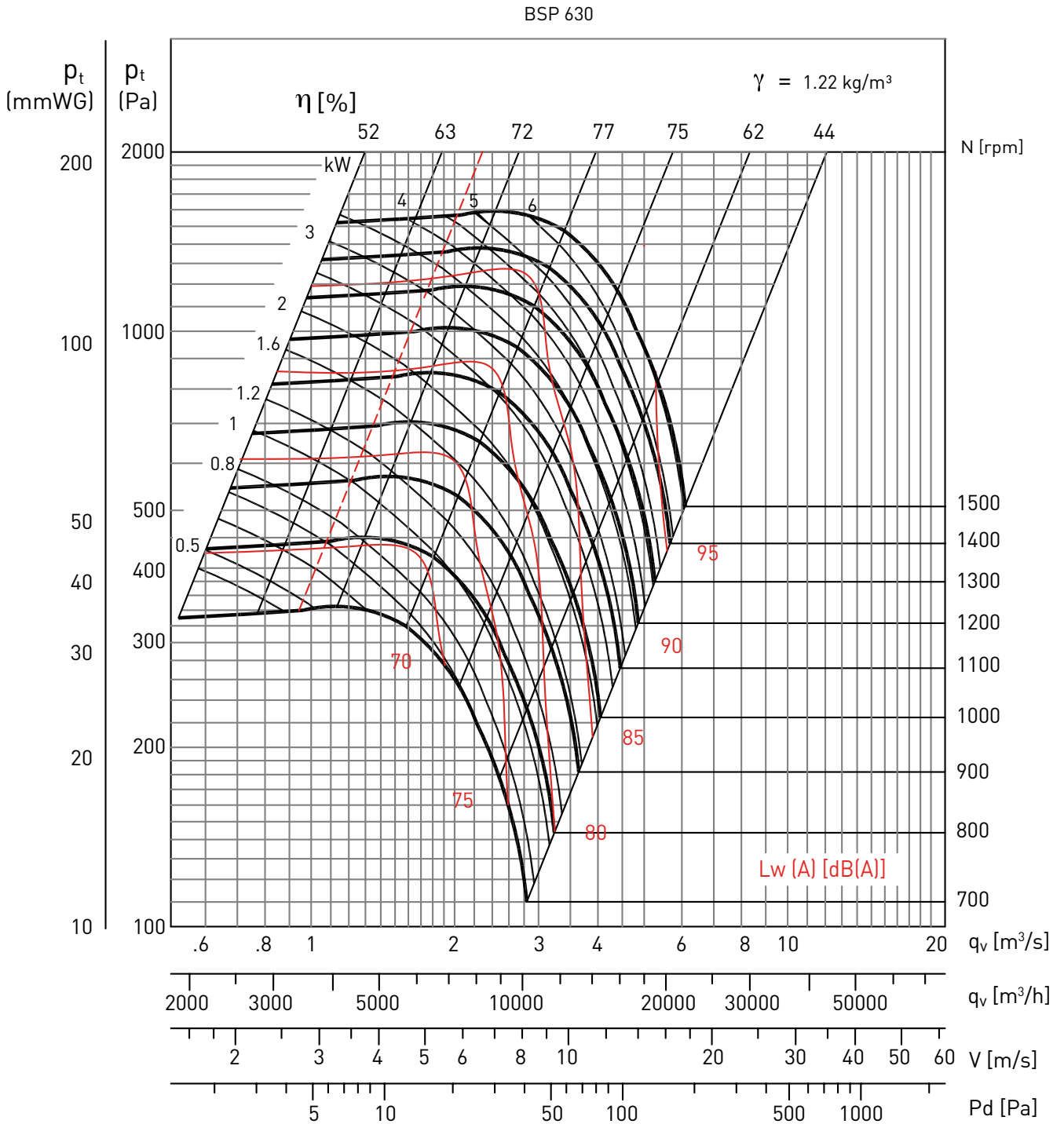
- Performance shown is for Installation type B - free inlet, ducted outlet. Performance ratings do not include the effects of appurtenances in the airstream. Power rating kW does not include drive losses.
- The A-weighted sound ratings shown have been calculated per AMCA standard 301. Values shown are for inlet Lw(A) sound power levels for installation type B - free inlet, ducted outlet. Ratings do not include the effect of duct end corrections.



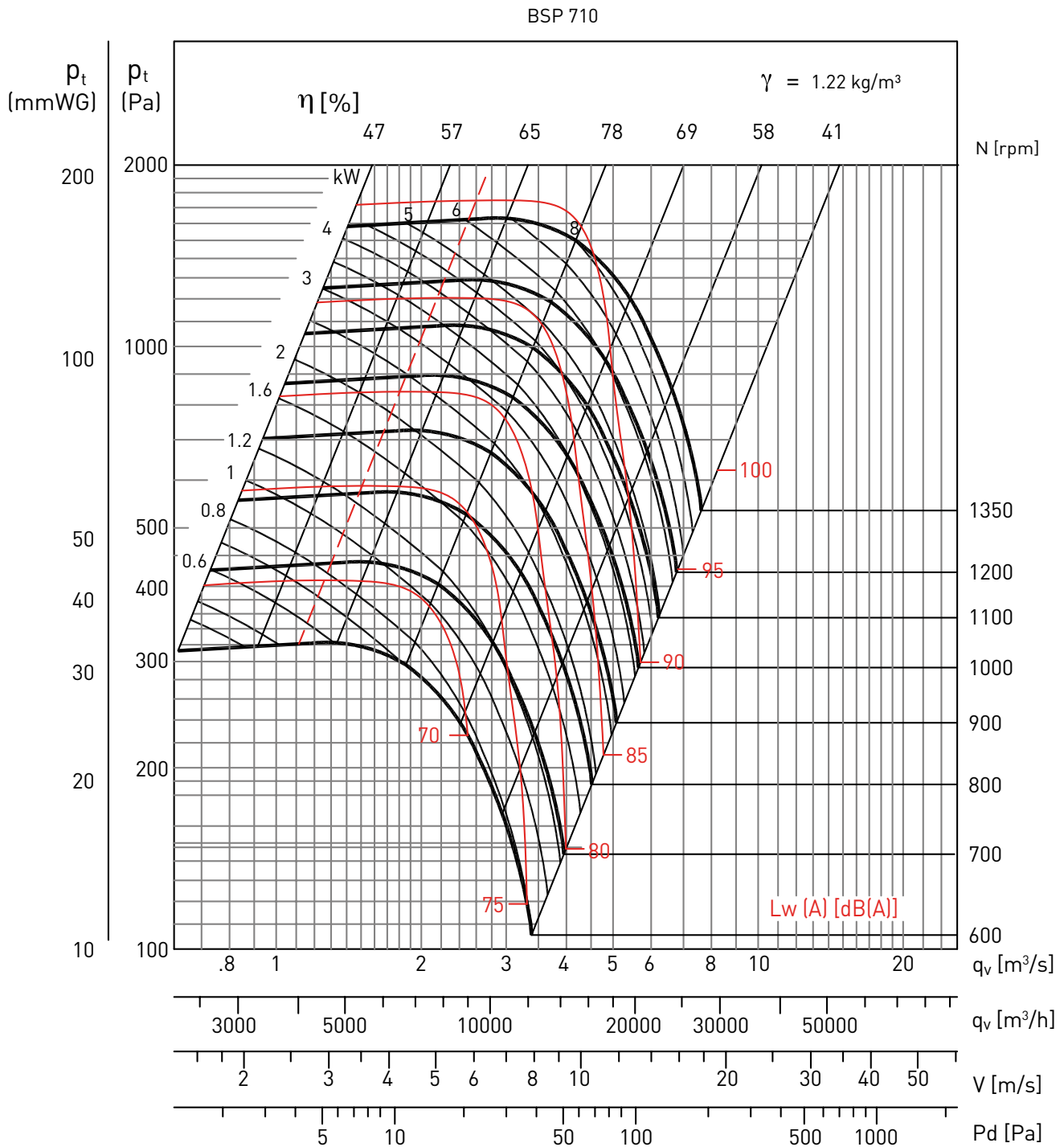
SINGLE INLET CENTRIFUGAL FANS
BSP Serie, F400-120 RATED FANS



- Performance shown is for Installation type B - free inlet, ducted outlet. Performance ratings do not include the effects of appurtenances in the airstream. Power rating kW does not include drive losses.
- The A-weighted sound ratings shown have been calculated per AMCA standard 301. Values shown are for inlet Lwi(A) sound power levels for installation type B - free inlet, ducted outlet. Ratings do not include the effect of duct end corrections.



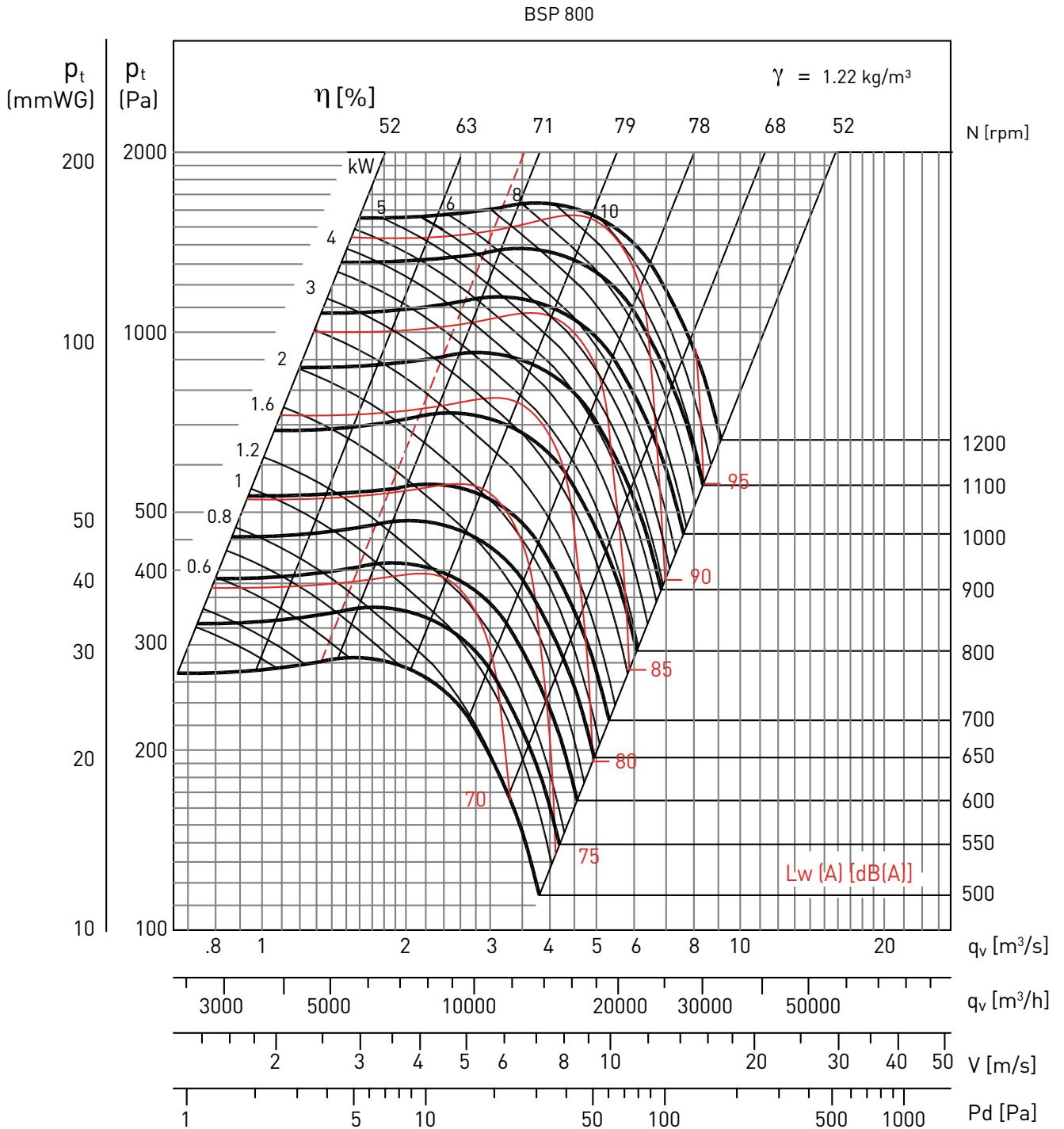
- Performance shown is for Installation type B - free inlet, ducted outlet. Performance ratings do not include the effects of appurtenances in the airstream. Power rating kW does not include drive losses.
- The A-weighted sound ratings shown have been calculated per AMCA standard 301. Values shown are for inlet Lwi(A) sound power levels for installation type B - free inlet, ducted outlet. Ratings do not include the effect of duct end corrections.



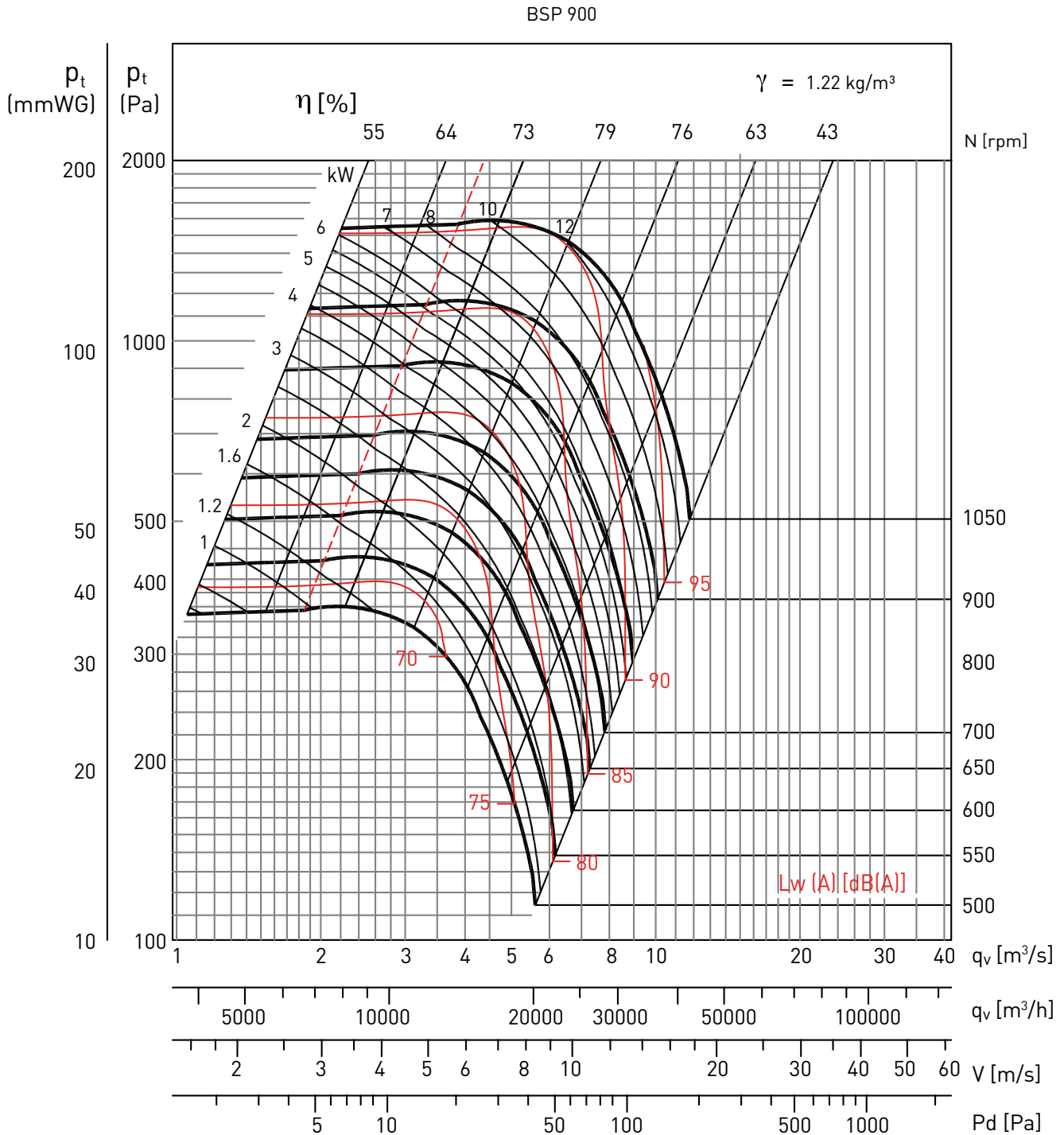
SINGLE INLET CENTRIFUGAL FANS
BSP Serie, F400-120 RATED FANS



- Performance shown is for Installation type B - free inlet, ducted outlet. Performance ratings do not include the effects of appurtenances in the airstream. Power rating kW does not include drive losses.
- The A-weighted sound ratings shown have been calculated per AMCA standard 301. Values shown are for inlet Lwi(A) sound power levels for installation type B - free inlet, ducted outlet. Ratings do not include the effect of duct end corrections.



- Performance shown is for Installation type B - free inlet, ducted outlet. Performance ratings do not include the effects of appurtenances in the airstream. Power rating kW does not include drive losses.
- The A-weighted sound ratings shown have been calculated per AMCA standard 301. Values shown are for inlet Lwi(A) sound power levels for installation type B - free inlet, ducted outlet. Ratings do not include the effect of duct end corrections.

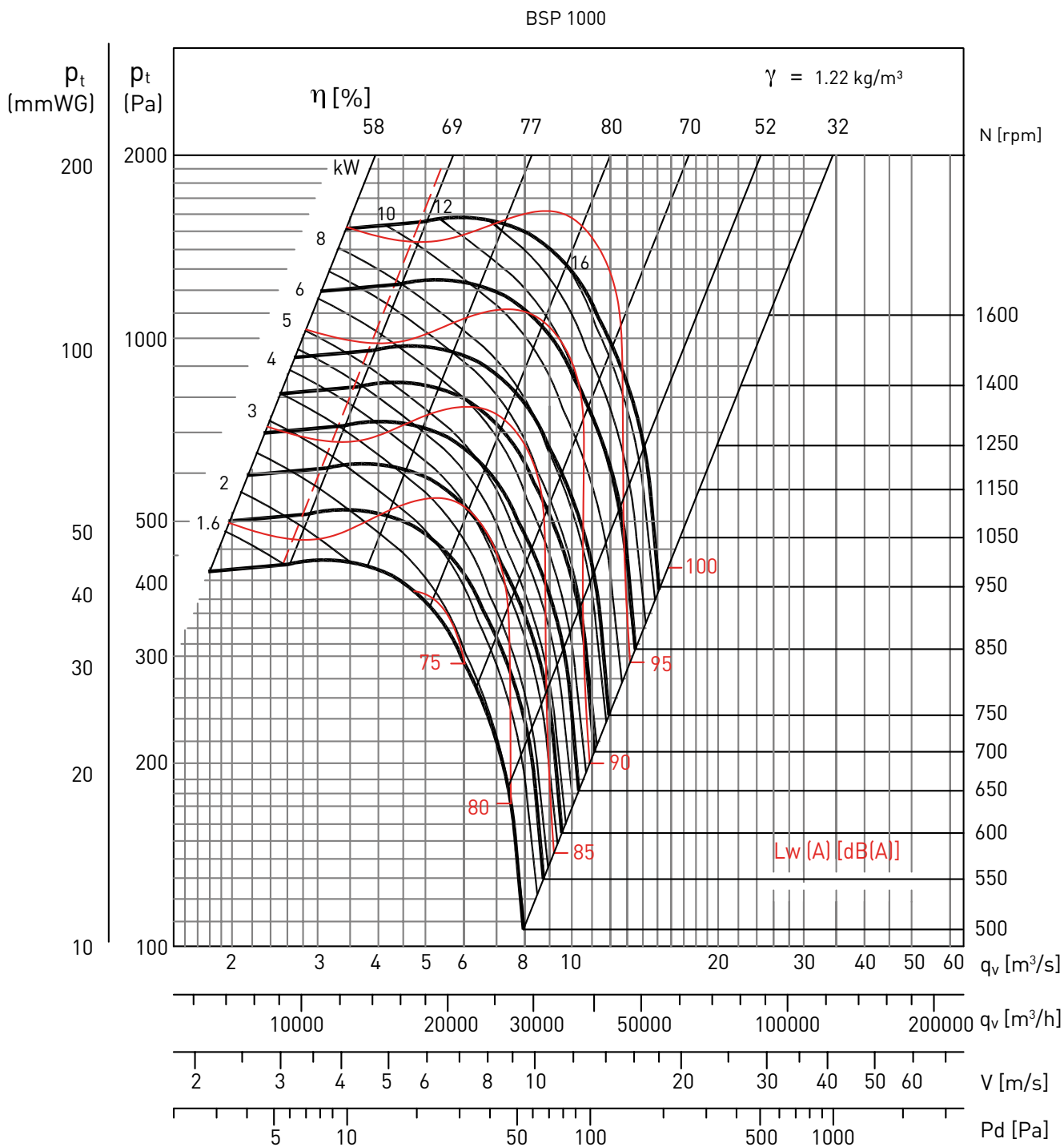


SINGLE INLET CENTRIFUGAL FANS

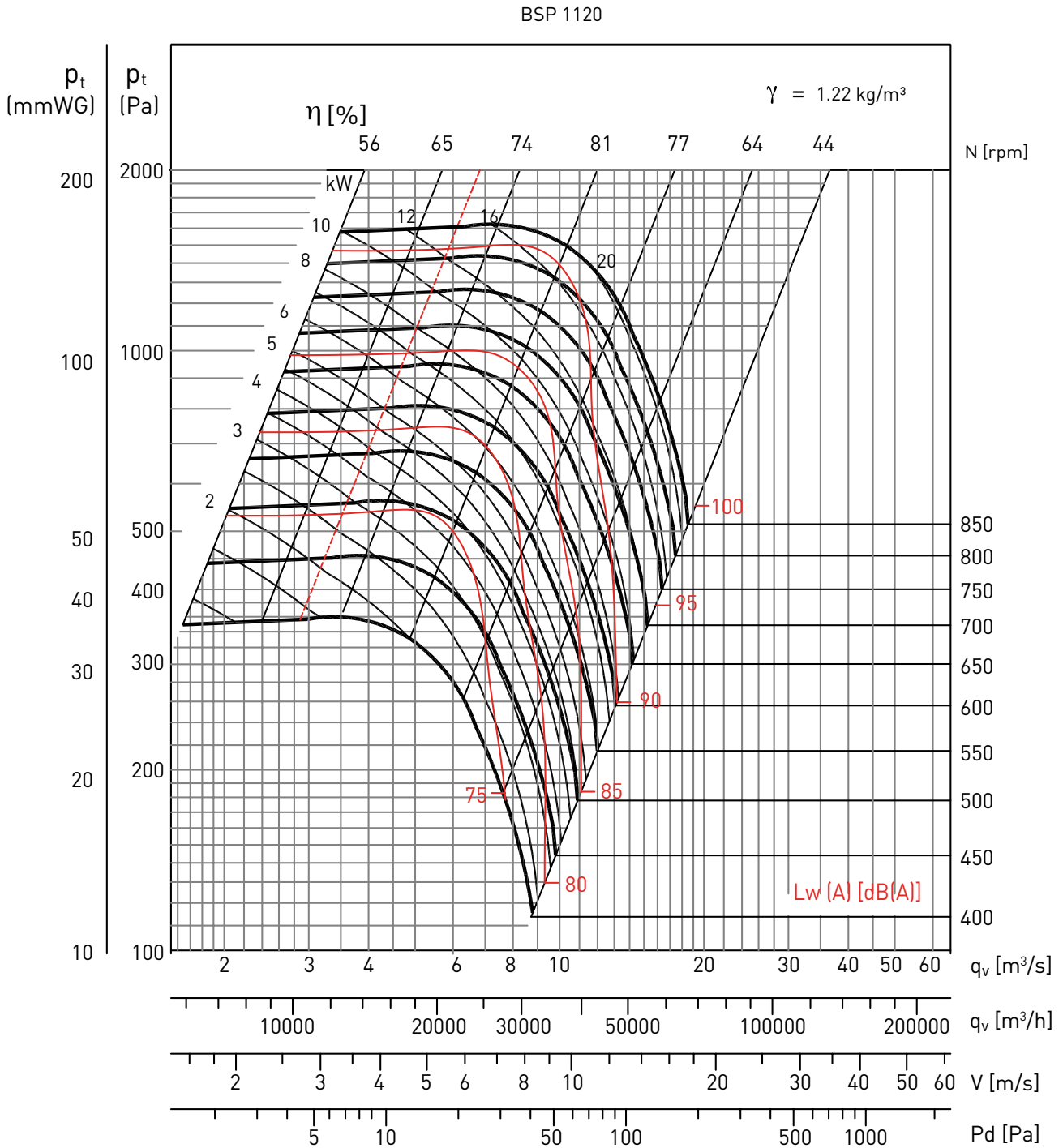
BSP Serie, F400-120 RATED FANS



- Performance shown is for Installation type B - free inlet, ducted outlet. Performance ratings do not include the effects of appurtenances in the airstream. Power rating kW does not include drive losses.
- The A-weighted sound ratings shown have been calculated per AMCA standard 301. Values shown are for inlet Lwi(A) sound power levels for installation type B - free inlet, ducted outlet. Ratings do not include the effect of duct end corrections.



- Performance shown is for Installation type B - free inlet, ducted outlet. Performance ratings do not include the effects of appurtenances in the airstream. Power rating kW does not include drive losses.
- The A-weighted sound ratings shown have been calculated per AMCA standard 301. Values shown are for inlet Lwi(A) sound power levels for installation type B - free inlet, ducted outlet. Ratings do not include the effect of duct end corrections.

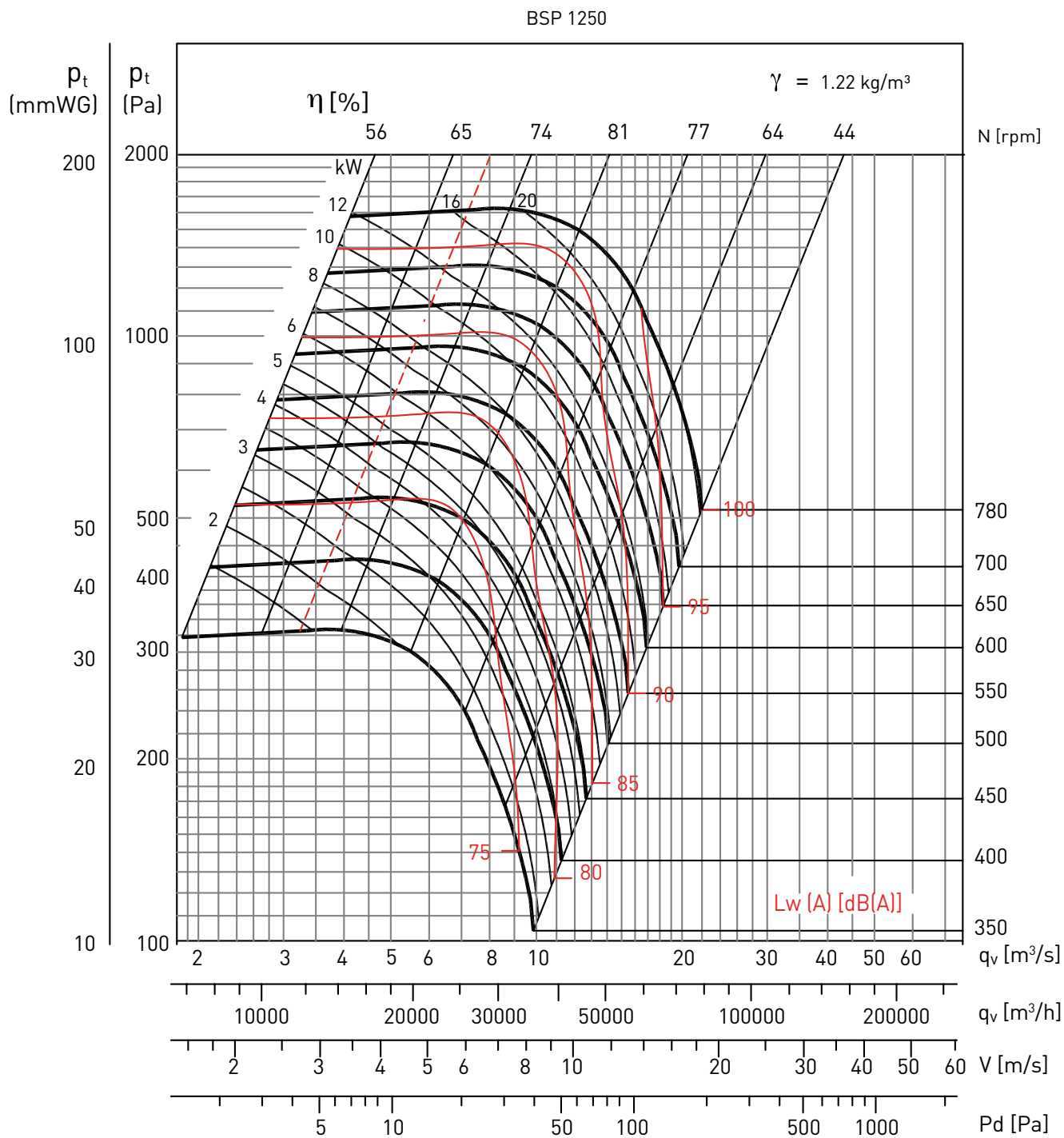


SINGLE INLET CENTRIFUGAL FANS

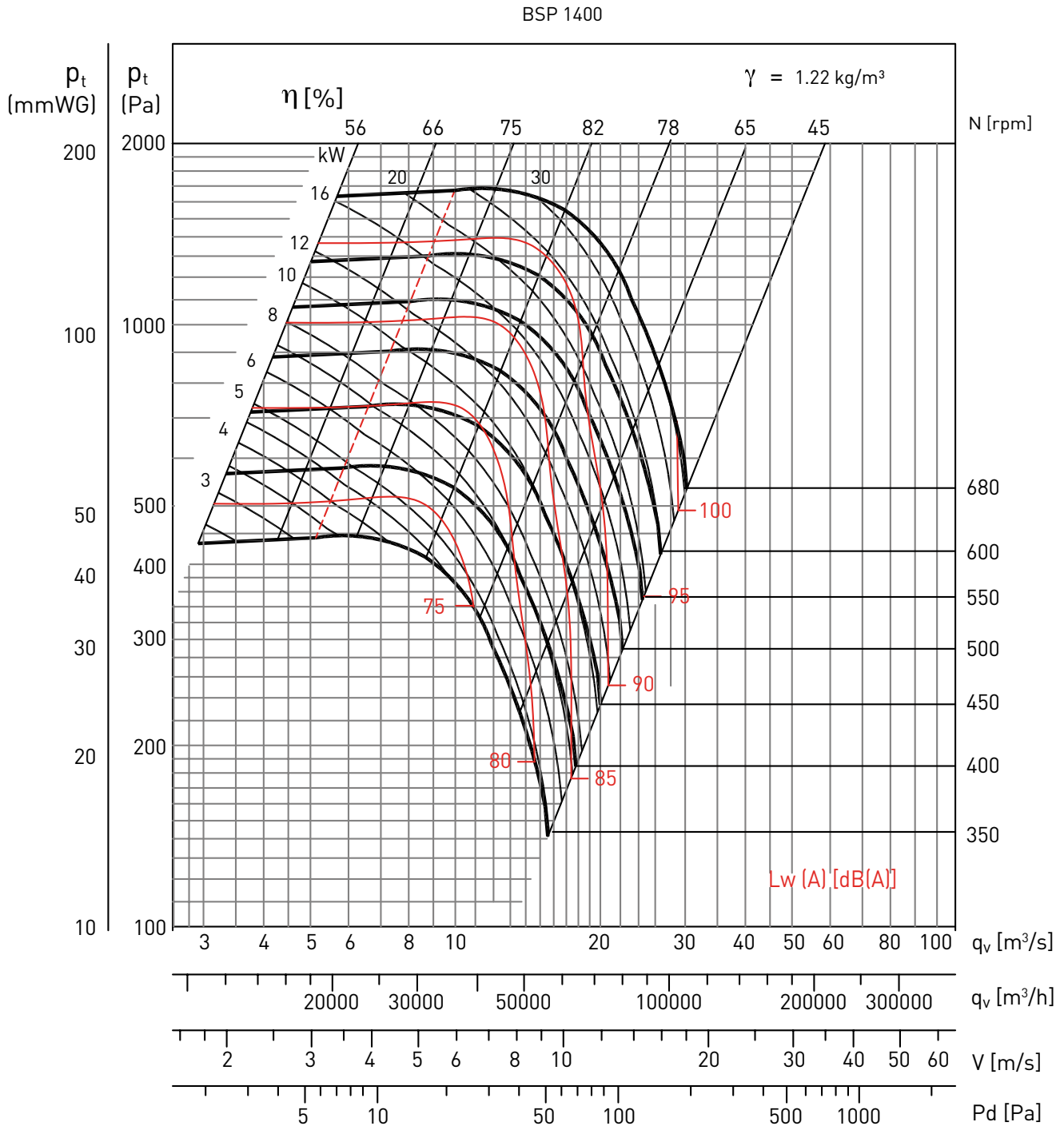
BSP Serie, F400-120 RATED FANS



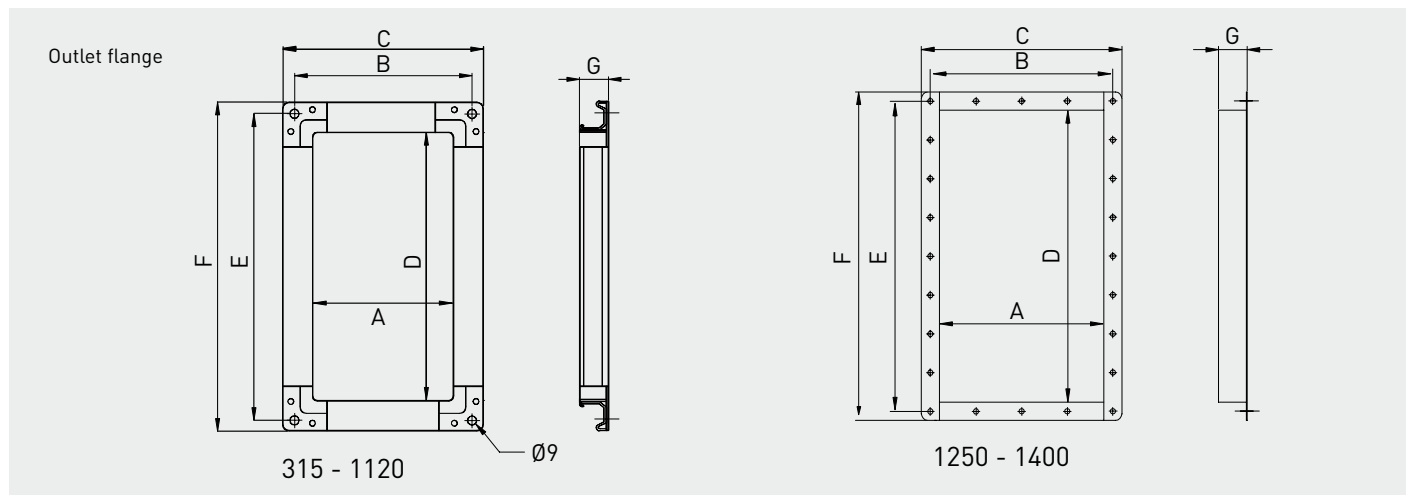
- Performance shown is for Installation type B - free inlet, ducted outlet. Performance ratings do not include the effects of appurtenances in the airstream. Power rating kW does not include drive losses.
- The A-weighted sound ratings shown have been calculated per AMCA standard 301. Values shown are for inlet Lwi(A) sound power levels for installation type B - free inlet, ducted outlet. Ratings do not include the effect of duct end corrections.



- Performance shown is for Installation type B - free inlet, ducted outlet. Performance ratings do not include the effects of appurtenances in the airstream. Power rating kW does not include drive losses.
- The A-weighted sound ratings shown have been calculated per AMCA standard 301. Values shown are for inlet Lwi(A) sound power levels for installation type B - free inlet, ducted outlet. Ratings do not include the effect of duct end corrections.



MOUNTING ACCESSORIES



Model	A	B	C	D	E	F	G
315	223	251	279	404	432	460	28
355	247	275	303	452	480	508	28
400	274	302	330	506	534	562	28
450	308	336	364	568	596	624	28
500	345	373	401	638	666	694	28
560	383	411	439	714	742	770	28
630	433	461	489	800	828	856	28

Dimensions in mm.

Model	A	B	C	D	E	F	G
710	479	507	535	898	926	954	28
800	533	561	589	1006	1034	1062	28
900	595	623	651	1130	1158	1186	28
1000	663	691	719	1266	1294	1322	28
1120	744	772	800	1422	1450	1478	28
1250	803	831	859	1524	1576	1624	50
1400	934	962	990	1794	1860	1920	63

Dimensions in mm.



ACOPEL F400 N *
 Circular flexible connector.
 Certified F400-120.



PAVZ*
 Rubber anti-vibration mounts
 that absorb vibration and
 attenuate the noise produced
 in the installation.
 (1 PAVZ= 4 supports in a bag).

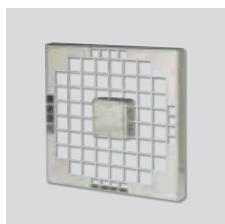
* For more information see Mounting accessories.

MOUNTING ACCESSORIES



DEF. DES. FSA/BSB
Rectangular guard for mounting at the BSP fan outlet.

Model BSP	Model protection guard outlet
315	DEF. DES. FSA/BSB 315
355	DEF. DES. FSA/BSB 355
400	DEF. DES. FSA/BSB 400
450	DEF. DES. FSA/BSB 450
500	DEF. DES. FSA/BSB 500
560	DEF. DES. FSA/BSB 560
630	DEF. DES. FSA/BSB 630
710	DEF. DES. FSA/BSB 710
800	DEF. DES. FSA/BSB 800
900	DEF. DES. FSA/BSB 900
1000	DEF. DES. FSA/BSB 1000



DEF. ASP. BDB/FDA
Proof guard for mounting at the BSP fan inlet.

Model BSP	Model protection guard inlet
315	DEF. ASP. BDB/FDA 315 S/C
355	DEF. ASP. BDB/FDA 355 S/C
400	DEF. ASP. BDB/FDA 400 S/C
450	DEF. ASP. BDB/FDA 450 S/C
500	DEF. ASP. BDB/FDA 500 S/C
560	DEF. ASP. BDB/FDA 560 S/C
630	DEF. ASP. BDB/FDA 630 S/C
710	DEF. ASP. BDB/FDA 710 T
800	DEF. ASP. BDB/FDA 800 T
900	DEF. ASP. BDB/FDA 900 T
1000	DEF. ASP. BDB/FDA 1000 T



BRIDA IMP. C/LONA F400 BSB
Rectangular flexible connector for mounting at the BSP fan outlet.

Model BSP	Model outlet flange
200	BRIDA IMP. C/LONA F400 BSB 200
225	BRIDA IMP. C/LONA F400 BSB 225
250	BRIDA IMP. C/LONA F400 BSB 250
280	BRIDA IMP. C/LONA F400 BSB 280
315	BRIDA IMP. C/LONA F400 BSB 315
355	BRIDA IMP. C/LONA F400 BSB 355
400	BRIDA IMP. C/LONA F400 BSB 400
450	BRIDA IMP. C/LONA F400 BSB 450
500	BRIDA IMP. C/LONA F400 BSB 500
560	BRIDA IMP. C/LONA F400 BSB 560
630	BRIDA IMP. C/LONA F400 BSB 630
710	BRIDA IMP. C/LONA F400 BSB 710
800	BRIDA IMP. C/LONA F400 BSB 800
900	BRIDA IMP. C/LONA F400 BSB 900
1000	BRIDA IMP. C/LONA F400 BSB 1000